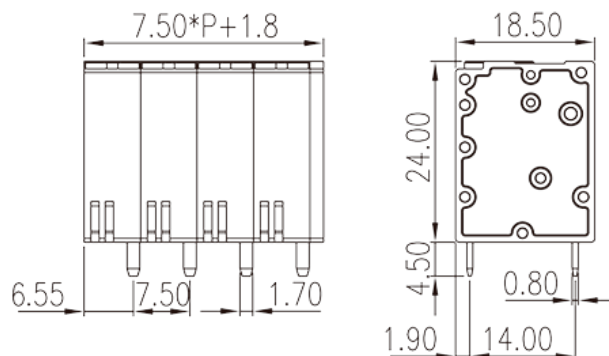


0177-88XX

PCB > PCB

:2026-03-30 :V1



Pitch : 7.50mm, 600V, 36A

PCB Terminal Blocks, Push-in Design	
PCB Terminal Blocks	
(mm)	7.50
	Black (default)
	Push in design
	Without
	Wave soldering
(mm)	$7.50 * (P - 1) + 9.3$
(mm)	18.5
(mm)	24
(x) (mm)	0.8x1.7
PCB (mm)	2.3
()	02P~16P
	Single level
	PA
	I



UL 94	V0
	500M at DC 500V
	COPPER ALLOY
	Tin PLATED

-IEC

(V)	1000
(A)	41
(II/2)(V)	1000
(III/2)(V)	1000
(III/3)(V)	1000
(II/2)(KV)	8
(III/2)(KV)	8
(III/3)(KV)	8
(mm ²)	0.2
(mm ²)	10
(mm ²)	0.2
(mm ²)	6
(mm ²) , ,	0.25
(mm ²) , ,	6
(mm ²) , ,	0.25
(mm ²) , ,	4
² (mm ²) , ,	0.25
² (mm ²) , ,	1.5
Width)(mm) (Blade thickness x	0.6x3.5
	15

-UL

(UL/CUL Group B)(V)	600
(UL/CUL Group B)(A)	36
(UL/CUL Group C)(V)	600

(UL/CUL Group C)(A)		36
(UL/CUL Group D)(V)		600
(UL/CUL Group D)(A)		5
UL/CUL	AWG	24
UL/CUL	AWG	8
UL/CUL	AWG	24
UL/CUL	AWG	8

&

가	(YES or NO)	YES
		120
		-40

UL

(Group B)(AWG)		24~8
(Group B)(V)		600
(Group B)(A)		36
(Group C)(AWG)		24~8
(Group C)(V)		600
(Group C)(A)		36
(Group D)(AWG)		24~8
(Group D)(V)		600
(Group D)(A)		5

CUL

(Group B)(AWG)		24~8
(Group B)(V)		600
(Group B)(A)		36
(Group C)(AWG)		24~8
(Group C)(V)		600
(Group C)(A)		36
(Group D)(AWG)		24~8
(Group D)(V)		600
(Group D)(A)		5

VDE

(mm ²)	0.2~6
(V)	1000
(A)	41

