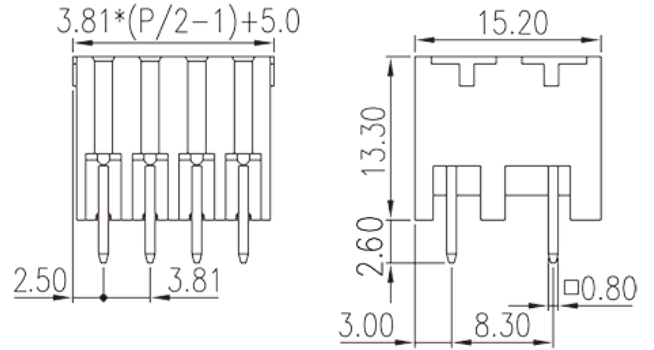


# 0221-39XXL

PCB &gt; PCB -

:2026-07-05 :V1



Pitch : 3.81 mm, 300V, 8A

|                |   |
|----------------|---|
|                | PCB Connector – Socket, Reflow soldering  |
|                | PCB Connector – Socket  |
| (mm)           | 3.81  |
|                | Black (default)   |
|                | Without   |
|                | Reflow Soldering (Temperature condition according to standard IPC/JEDEC J-STD-020E) |
| (mm)           | $3.81 * (P/2 - 1) + 5.0$  |
| (mm)           | 15.2  |
| (mm)           | 13.3  |
| (   x   ) (mm) | 0.8x0.8   |
| PCB (mm)       | 1.3~1.4   |
| (   )          | 04P~48P   |
|                | Double level  |
|                | HIGH-TEMPERATURE PLASTICS   |
|                | I   |



|       |                 |
|-------|-----------------|
| UL 94 | V0              |
|       | 500M at DC 500V |
|       | COPPER ALLOY    |
|       | Tin PLATED      |
| MSL   | 2               |

**-IEC**

|             |     |
|-------------|-----|
| (V)         | 320 |
| (A)         | 8   |
| (II/2)(V)   | 320 |
| (III/2)(V)  | 160 |
| (III/3)(V)  | 160 |
| (II/2)(KV)  | 2.5 |
| (III/2)(KV) | 2.5 |
| (III/3)(KV) | 2.5 |

**-UL**

|                     |     |
|---------------------|-----|
| (UL/CUL Group B)(V) | 300 |
| (UL/CUL Group B)(A) | 8   |

**&**

|               |     |
|---------------|-----|
| 가 (YES or NO) | YES |
|               | 120 |
|               | -40 |

**UL**

|              |     |
|--------------|-----|
| (Group B)(V) | 300 |
| (Group B)(A) | 8   |

**CUL**

|              |     |
|--------------|-----|
| (Group B)(V) | 300 |
| (Group B)(A) | 8   |

