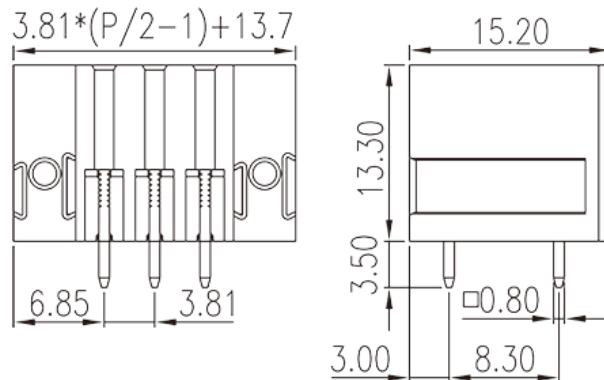
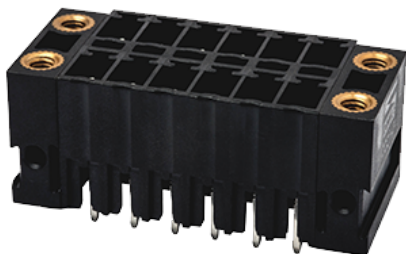


0221-52XX-BK

PCB > PCB -

:2026-07-05 :V1



Pitch : 3.81 mm, 300V, 8A

	PCB Connector – Socket, Wave soldering
	PCB Connector – Socket
(mm)	3.81
	Black (default)
	Without
	Wave soldering
(mm)	$3.81 * (P/2 - 1) + 13.7$
(mm)	13.3
(mm)	15.2
(x) (mm)	0.8x0.8
PCB (mm)	1.3~1.4
()	04P~48P
	Double level
	PBT
	IIIa
UL 94	V0

	1000M at DC 500V
	COPPER ALLOY
	Tin PLATED

-IEC

(V)	320
(A)	8
(II/2)(V)	320
(III/2)(V)	320
(III/3)(V)	160
(II/2)(KV)	4
(III/2)(KV)	4
(III/3)(KV)	4
(N.m)	0.3

-UL

(UL/CUL Group B)(V)	300
(UL/CUL Group B)(A)	8

&

가 (YES or NO)	NO
	120
	-40

