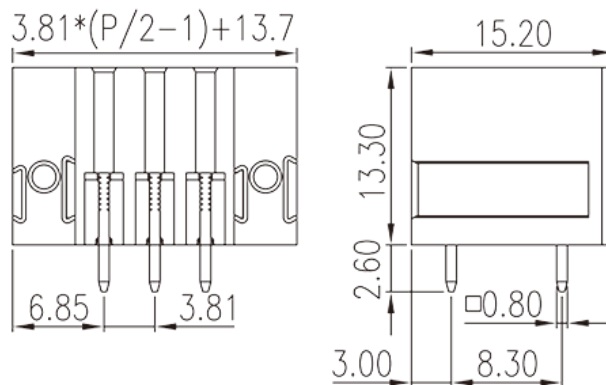
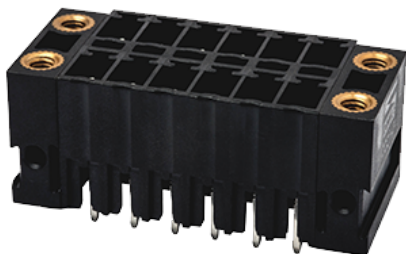


# 0221-52XXL

PCB > PCB -

:2026-07-05 :V1



Pitch : 3.81 mm, 300V, 8A

	PCB Connector – Socket, Reflow Soldering
	PCB Connector – Socket
(mm)	3.81
	Black (default)
	Without
	Reflow Soldering (Temperature condition according to standard IPC/JEDEC J-STD-020E)
(mm)	$3.81 * (P/2 - 1) + 13.7$
(mm)	13.3
(mm)	15.2
(   x   ) (mm)	0.8x0.8
PCB (mm)	1.4
(   )	04P~48P
	Double level
	HIGH-TEMPERATURE PLASTICS
	IIIa



UL 94	V0
	500M at DC 500V
	COPPER ALLOY
	Tin PLATED
MSL	2

**-IEC**

(V)	320
(A)	5
(II/2)(V)	320
(III/2)(V)	320
(III/3)(V)	160
(II/2)(KV)	4
(III/2)(KV)	4
(III/3)(KV)	4
(N.m)	0.3

**-UL**

(UL/CUL Group B)(V)	300
(UL/CUL Group B)(A)	8

**&**

가 (YES or NO)	YES
	120
	-40

**UL**

(Group B)(V)	300
(Group B)(A)	8

**CUL**

(Group B)(V)	300
(Group B)(A)	8

