

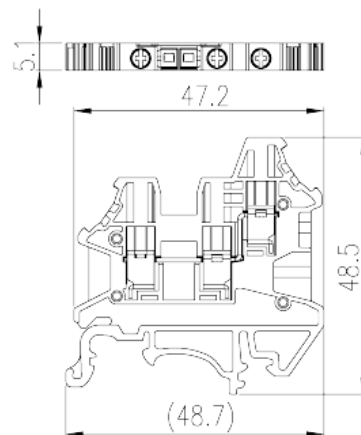
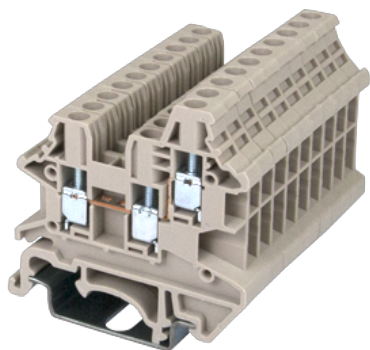
# DK2.5N-TN

DIN

>

:2026-07-04

:1.2



M2.5, 600V, 20A, Beige (default)

	Single Level Feed-through Terminal Block, Screw Connection
	Single Level Feed-through Terminal Block,
	Beige (default)
	Screw connection
	Rail mounting
(mm)	48.7
(mm)	5.1
(mm)	48.5
( )	1P
	Single level
	3
	PA
	I
UL 94	V0
	500M at DC 500V

## -IEC

(V)		1000
(A)		24
(III/3)(V)		1000
(III/3)(KV)		8
(mm <sup>2</sup> )		0.14
(mm <sup>2</sup> )		4
(mm <sup>2</sup> )		0.14
(mm <sup>2</sup> )		2.5
(mm <sup>2</sup> )	,	0.25
(mm <sup>2</sup> )	,	2.5
(mm <sup>2</sup> )	,	0.25
(mm <sup>2</sup> )	,	1.5
2	(mm <sup>2</sup> )	0.14
2	(mm <sup>2</sup> )	2.5
2	(mm <sup>2</sup> )	0.14
2	(mm <sup>2</sup> )	1.5
(mm <sup>2</sup> )	2 ,	0.25
(mm <sup>2</sup> )	2 ,	1.5
(mm <sup>2</sup> )	2 ,	0.5
(mm <sup>2</sup> )	2 ,	1
		M2.5
Width)(mm)	(Blade thickness x	0.6x3.5
Philips		PH1
(N.m)		0.4
		9~12
		TS-35/ TS-35/15
		YES
		NO

### -UL

(UL/CUL Group B)(V)		600
(UL/CUL Group B)(A)		20
(UL/CUL Group C)(V)		600
(UL/CUL Group C)(A)		20
UL/CUL	AWG	22
UL/CUL	AWG	12
UL/CUL	AWG	22
UL/CUL	AWG	12

### &

(YES or NO)		YES
가 (YES or NO)		YES
		120
		-40

### UL

(Group B)(AWG)		22~12
(Group B)(V)		600
(Group B)(A)		20
(Group C)(AWG)		22~12
(Group C)(V)		600
(Group C)(A)		20

### CUL

(Group B)(AWG)		22~12
(Group B)(V)		600
(Group B)(A)		20
(Group C)(AWG)		22~12
(Group C)(V)		600
(Group C)(A)		20

### VDE

(mm <sup>2</sup> )		0.14~2.5
--------------------	--	----------

(V)	1000
(A)	24

