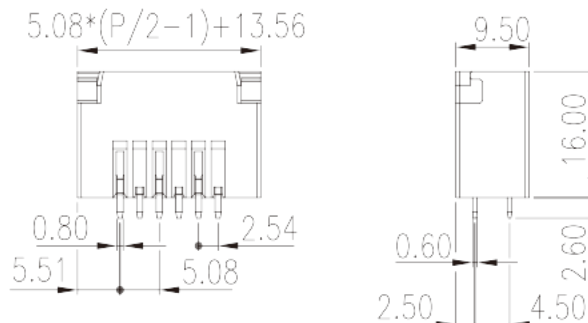
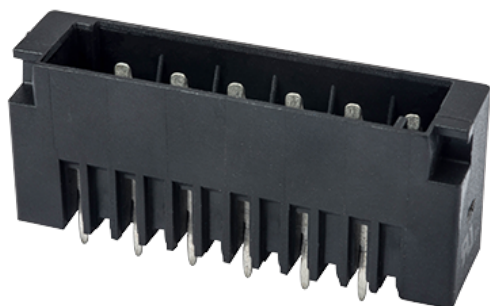


# 0225-77XX

PCB > PCB -

:2026-07-05 :V1



Pitch : 5.08 mm, 300V, 12A

	PCB Connector – Socket, Wave soldering
	PCB Connector – Socket
(mm)	5.08
	Black (default)
	With lock flange
	Wave soldering
(mm)	$5.08 \times (P/2 - 1) + 13.56$
(mm)	9.5
(mm)	16
( x ) (mm)	0.6x0.8
PCB (mm)	1.2
( )	04P~40P
	Double level
	PBT
	IIIa
UL 94	V0



	1000M at DC 500V
	COPPER ALLOY
	Tin PLATED

**-IEC**

(V)	320
(A)	14
(II/2)(V)	320
(III/2)(V)	320
(III/3)(V)	200
(II/2)(KV)	4
(III/2)(KV)	4
(III/3)(KV)	4

**-UL**

(UL/CUL Group B)(V)	300
(UL/CUL Group B)(A)	12
(UL/CUL Group D)(V)	300
(UL/CUL Group D)(A)	10

**&**

가 (YES or NO)	YES
	120
	-40

**UL**

(Group B)(V)	300
(Group B)(A)	12
(Group D)(V)	300
(Group D)(A)	10

**CUL**

(Group B)(V)	300
(Group B)(A)	12
(Group D)(V)	300

(Group D)(A)

10

