

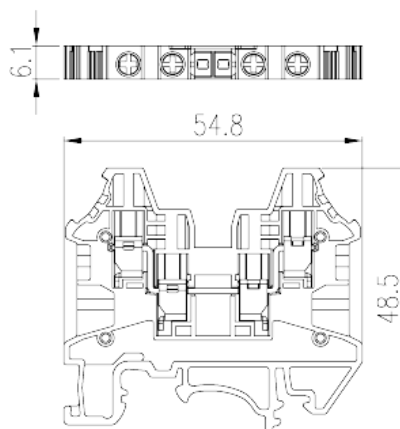
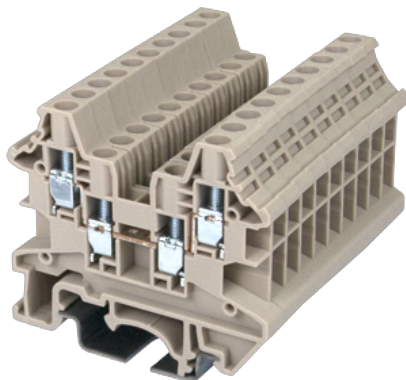
DK4N-TR

DIN

>

:2026-07-04

:1.2



M3, 600V, 30A, Beige (default)

	Single level Feed-Through Terminal Block, Screw Connection
	Single level Feed Through Terminal Block
	Beige (default)
	Screw connection
	Rail mounting
(mm)	54.8
(mm)	6.1
(mm)	48.5
	Single level
	4
	PA
	I
UL 94	V0
	500M at DC 500V

-IEC

(V)		1000
(A)		32
(III/3)(V)		1000
(III/3)(KV)		8
(mm ²)		0.14
(mm ²)		6
(mm ²)		0.14
(mm ²)		4
(mm ²)	,	0.25
(mm ²)	,	4
(mm ²)	,	0.25
(mm ²)	,	2.5
2	(mm ²)	0.14
2	(mm ²)	2.5
2	(mm ²)	0.14
2	(mm ²)	1.5
(mm ²) ²	,	0.25
(mm ²) ²	,	1
(mm ²) ²	,	0.5
(mm ²) ²	,	1
		M3
Width)(mm)	(Blade thickness x	0.6x3.5
Philips		PH1
(N.m)		0.6
		9~11
		TS-35 TS-35/15
		YES
		NO

-UL

(UL/CUL Group B)(V)		600
(UL/CUL Group B)(A)		30
(UL/CUL Group C)(V)		600
(UL/CUL Group C)(A)		30
UL/CUL	AWG	22
UL/CUL	AWG	10
UL/CUL	AWG	22
UL/CUL	AWG	10

&

(YES or NO)		YES
가 (YES or NO)		YES
		120
		-40

UL

(Group B)(AWG)		22~10
(Group B)(V)		600
(Group B)(A)		30
(Group C)(AWG)		22~10
(Group C)(V)		600
(Group C)(A)		30

CUL

(Group B)(AWG)		22~10
(Group B)(V)		600
(Group B)(A)		30
(Group C)(AWG)		22~10
(Group C)(V)		600
(Group C)(A)		30

VDE

(mm ²)		0.14~4
(V)		1000
(A)		32

