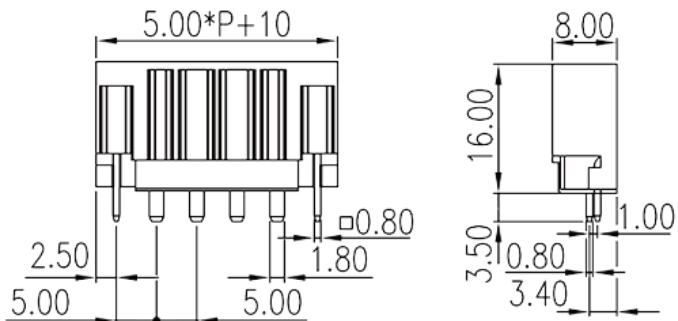


# 0227-17XX

PCB > PCB -

:2026-07-05 :V1



Pitch : 5.00 mm, 300V, 15A

	PCB Connector – Socket, Wave soldering
	PCB Connector – Socket
(mm)	5.00
	Black (default)
	With threaded flange / With release tool
	Wave soldering
(mm)	$5.00 * (P - 1) + 15.0$
(mm)	8
(mm)	16
(    x    ) (mm)	0.8x1.8
PCB (mm)	1.35~1.45
(    )	02P~24P
	Single level
	PA
	I
UL 94	V0



	500M at DC 500V
	COPPER ALLOY
	Tin PLATED

**-IEC**

(V)	630
(A)	18
(II/2)(V)	630
(III/2)(V)	320
(III/3)(V)	320
(II/2)(KV)	4
(III/2)(KV)	4
(III/3)(KV)	4
(N.m)	0.3

**-UL**

(UL/CUL Group B)(V)	300
(UL/CUL Group B)(A)	15
(UL/CUL Group D)(V)	300
(UL/CUL Group D)(A)	10

**&**

가 (YES or NO)	YES
	120
	-40

**UL**

(Group B)(V)	300
(Group B)(A)	15
(Group D)(V)	300
(Group D)(A)	10

**CUL**

(Group B)(V)	300
(Group B)(A)	15

(Group D)(V)	300
(Group D)(A)	10

