

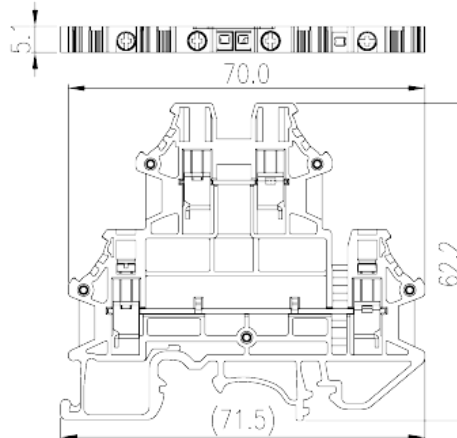
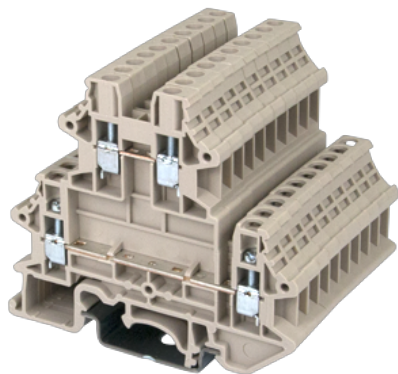
DKK2.5N

DIN

>

:2026-07-04

:1.2



M2.5, 600V, 20A, Beige (default)

	Bi-level Feed-through Terminal Block, Screw Connection
	Bi level feed through terminal blocks
	Beige (default)
	Screw connection
	Rail mounting
(mm)	71.5
(mm)	5.1
(mm)	62.2
()	1P
	Double level
	4
	PA
	I
UL 94	V0
	500M at DC 500V

-IEC

(V)		800
(A)		24
(III/3)(V)		800
(III/3)(KV)		8
(mm ²)		0.34
(mm ²)		4
(mm ²)		0.34
(mm ²)		2.5
(mm ²)	,	0.34
(mm ²)	,	2.5
(mm ²)	,	0.34
(mm ²)	,	2.5
2	(mm ²)	0.34
2	(mm ²)	1.5
2	(mm ²)	0.34
2	(mm ²)	1.5
(mm ²)	2 ,	0.34
(mm ²)	2 ,	1.5
(mm ²)	2 (mm ²) ,	0.5
(mm ²)	2 (mm ²) ,	1.5
Width)(mm)	(Blade thickness x	M2.5 0.4x2.5
Philips		PH0
(N.m)		0.4
(N.m)		0.5
		9~11
		TS-35、TS-35/15
		YES
		NO

-UL

(UL/CUL Group B)(V)		600
(UL/CUL Group B)(A)		20
(UL/CUL Group C)(V)		600
(UL/CUL Group C)(A)		20
UL/CUL	AWG	22
UL/CUL	AWG	12
UL/CUL	AWG	22
UL/CUL	AWG	12

&

(YES or NO)		YES
가 (YES or NO)		YES
		120
		-40

UL

(Group B)(AWG)		22~12
(Group B)(V)		600
(Group B)(A)		20
(Group C)(AWG)		22~12
(Group C)(V)		600
(Group C)(A)		20

CUL

(Group B)(AWG)		22~12
(Group B)(V)		600
(Group B)(A)		20
(Group C)(AWG)		22~12
(Group C)(V)		600
(Group C)(A)		20

VDE

(mm ²)		0.34~2.5
--------------------	--	----------

(V)	800
(A)	24

