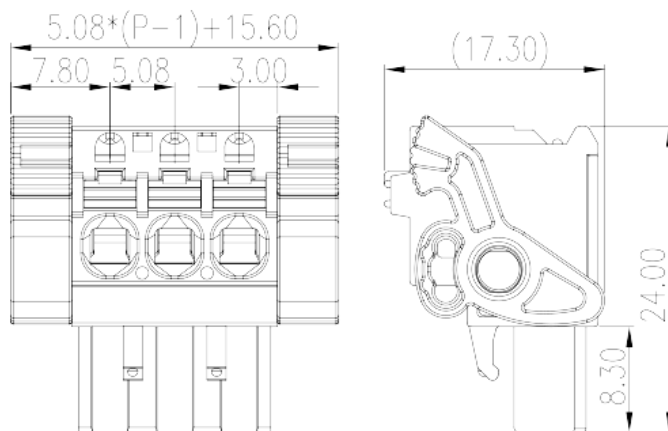


2ESDSVK-XXP

PCB > PCB -

:2026-07-04 :1.1



Pitch : 5.08 mm, 300V, 10A

	PCB Connector – Plug, Push-in design
	PCB Connector – Plug
(mm)	5.08
	Black (default)
	Push in Design
	With release tool
(mm)	$5.08 * (P - 1) + 15.60$
(mm)	17.3
(mm)	24
()	02P~24P
	Single level
	PA
	I
UL 94	V0
	500M at DC 500V
	COPPER ALLOY

Tin PLATED

-IEC

(V)	630
(A)	18
(II/2)(V)	630
(III/2)(V)	320
(III/3)(V)	250
(II/2)(KV)	4
(III/2)(KV)	4
(III/3)(KV)	4
(mm ²)	0.2
(mm ²)	2.5
(mm ²)	0.2
(mm ²)	2.5
(mm ²) , ,	0.25
(mm ²) , ,	2.5
(mm ²) , ,	0.25
(mm ²) , ,	2.5
2 (mm ²)	1.5
2 (mm ²)	1.5
(mm ²) ² , ,	0.5
(mm ²) ² , ,	1
(mm ²) ² , ,	0.5
(mm ²) ² , ,	1
	12~13

-UL

(UL/CUL Group B)(V)	300
(UL/CUL Group B)(A)	10
UL/CUL AWG	26

UL/CUL	AWG	12
UL/CUL	AWG	26
UL/CUL	AWG	12

&

가	(YES or NO)	YES
		120
		-40

VDE

(mm ²)	0.2~2.5
(V)	630
(A)	18

