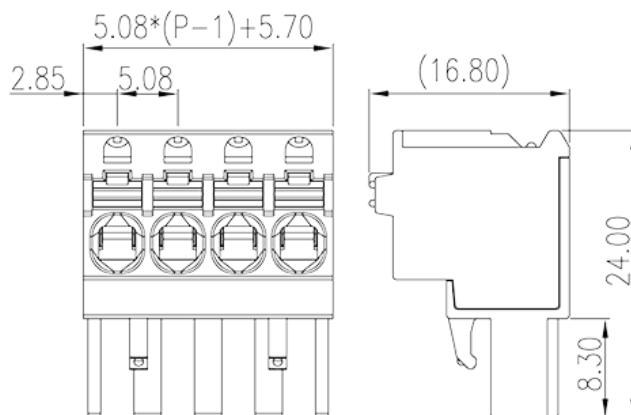


# 2ESDSV-XXP

PCB > PCB -

:2026-07-04 :1.1



Pitch : 5.08 mm, 300V, 10A

	PCB Connector Plug, Push in design
	PCB Connector – Plug
(mm)	5.08
	Black (default)
	Push in Design
	Without
(mm)	$5.08 \times (P-1) + 5.70$
(mm)	16.8
(mm)	24
( )	02P~24P
	Single level
	PA
	I
UL 94	V0
	500M at DC 500V
	COPPER ALLOY

		in PLATED
<b>-IEC</b>		
(V)		630
(A)		18
(II/2)(V)		630
(III/2)(V)		320
(III/3)(V)		250
(II/2)(KV)		4
(III/2)(KV)		4
(III/3)(KV)		4
(mm <sup>2</sup> )		0.2
(mm <sup>2</sup> )		2.5
(mm <sup>2</sup> )		0.2
(mm <sup>2</sup> )		2.5
(mm <sup>2</sup> )	' ,	0.25
(mm <sup>2</sup> )	' ,	2.5
(mm <sup>2</sup> )	' ,	0.25
(mm <sup>2</sup> )	' ,	2.5
2	(mm <sup>2</sup> )	1.5
2	(mm <sup>2</sup> )	1.5
(mm <sup>2</sup> ) <sup>2</sup>	' ,	0.5
(mm <sup>2</sup> ) <sup>2</sup>	' ,	1
(mm <sup>2</sup> ) <sup>2</sup>	' ,	0.5
(mm <sup>2</sup> ) <sup>2</sup>	' ,	1
		12~13
<b>-UL</b>		
(UL/CUL Group B)(V)		300
(UL/CUL Group B)(A)		10
UL/CUL	AWG	26

UL/CUL	AWG	12
UL/CUL	AWG	26
UL/CUL	AWG	12

&

가	(YES or NO)	YES
		120
		-40

VDE

(mm <sup>2</sup> )	0.2~2.5
(V)	630
(A)	18

