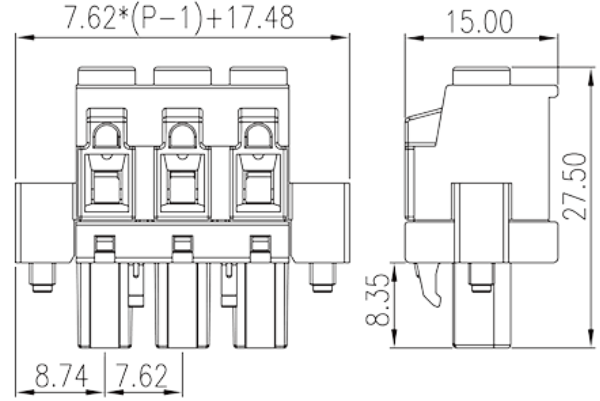
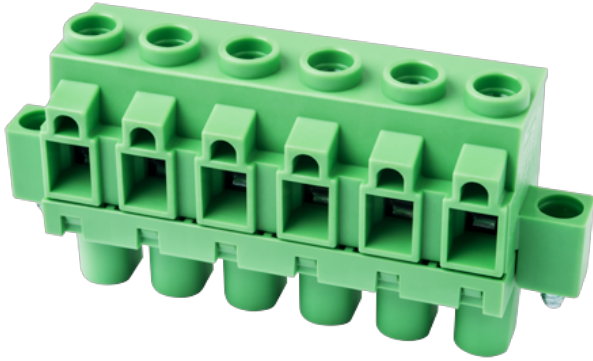


3ESNPLSM-XXP

PCB > PCB -

:2026-07-05 :1.1



Pitch : 7.62 mm, 600V, 15A

	PCB Connector – Plug, Screw Connection
	PCB Connector – Plug
(mm)	7.62
	Green (default)
	Screw Connection
	With screw flange
(mm)	$7.62*(P-1)+17.48$
(mm)	15
(mm)	27.5
()	02P~12P
	Single level
	PA
	I
UL 94	V0
	500M at DC 500V
	COPPER ALLOY



Tin PLATED

-IEC

(V)	1000
(A)	24
(II/2)(V)	1000
(III/2)(V)	1000
(III/3)(V)	1000
(II/2)(KV)	8
(III/2)(KV)	8
(III/3)(KV)	8
(mm ²)	0.2
(mm ²)	2.5
(mm ²)	0.2
(mm ²)	2.5
(mm ²) , ,	0.5
(mm ²) , ,	2.5
(mm ²) , ,	0.5
(mm ²) , ,	2.5
(mm ²) ² , ,	0.2
(mm ²) ² , ,	1.5
(mm ²) ² , ,	0.5
(mm ²) ² , ,	1.5
	M2.5
Width)(mm) (Blade thickness x	0.6x3.5
Philips	PH1
(N.m)	0.5
(N.m)	0.2
	7~8

-UL



(UL/CUL Group B)(V)	600
(UL/CUL Group B)(A)	15
(UL/CUL Group C)(V)	600
(UL/CUL Group C)(A)	15
(UL/CUL Group D)(V)	600
(UL/CUL Group D)(A)	5
UL/CUL AWG	28
UL/CUL AWG	12
UL/CUL AWG	28
UL/CUL AWG	12

&

가 (YES or NO)	YES
	120
	-40

UL

(Group B)(AWG)	28~12
(Group B)(V)	600
(Group B)(A)	15
(Group C)(AWG)	28~12
(Group C)(V)	600
(Group C)(A)	15
(Group D)(AWG)	28~12
(Group D)(V)	600
(Group D)(A)	5

CUL

(Group B)(AWG)	28~12
(Group B)(V)	600
(Group B)(A)	15
(Group C)(AWG)	28~12
(Group C)(V)	600
(Group C)(A)	15

(Group D)(AWG)	28~12
(Group D)(V)	600
(Group D)(A)	5

