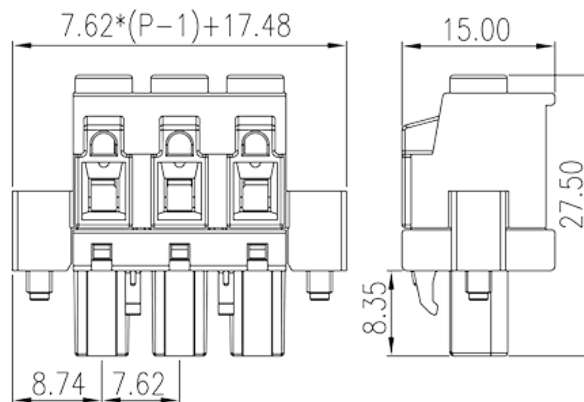


3ESNPSM-XXP

PCB > PCB -

:2026-07-04 :1.1



Pitch : 7.62 mm, 600V, 15A

	PCB Connector – Plug, Screw Connection
	PCB Connector – Plug
(mm)	7.62
	Green (default)
	Screw Connection
	With screw flange
(mm)	$7.62 \times (P-1) + 17.48$
(mm)	15
(mm)	27.5
()	02P~12P
	Single level
	PA
	I
UL 94	V0
	500M at DC 500V
	COPPER ALLOY



Tin PLATED

-IEC

(V)		1000
(A)		24
(II/2)(V)		1000
(II/2)(KV)		8
(III/2)(KV)		8
(III/3)(KV)		8
(mm ²)		0.2
(mm ²)		2.5
(mm ²)		0.2
(mm ²)		2.5
		M2.5
Width)(mm)	(Blade thickness x	0.6x3.5
Philips		PH1
(N.m)		0.5
		7~8

-UL

(UL/CUL Group B)(V)		600
(UL/CUL Group B)(A)		15
(UL/CUL Group D)(V)		600
(UL/CUL Group D)(A)		5
UL/CUL	AWG	28
UL/CUL	AWG	12
UL/CUL	AWG	28
UL/CUL	AWG	12

&

가	(YES or NO)	YES
		120
		-40

UL

(Group B) (AWG)	28~12
(Group B) (V)	600
(Group B) (A)	15
(Group D) (AWG)	28~12
(Group D) (V)	600
(Group D) (A)	5

CUL

(Group B) (AWG)	28~12
(Group B) (V)	600
(Group B) (A)	15
(Group D) (AWG)	28~12
(Group D) (V)	600
(Group D) (A)	5

