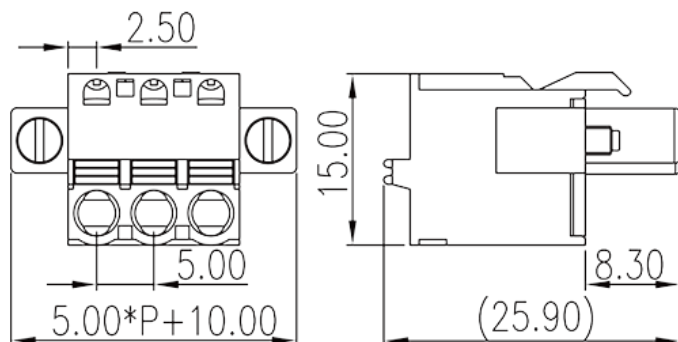
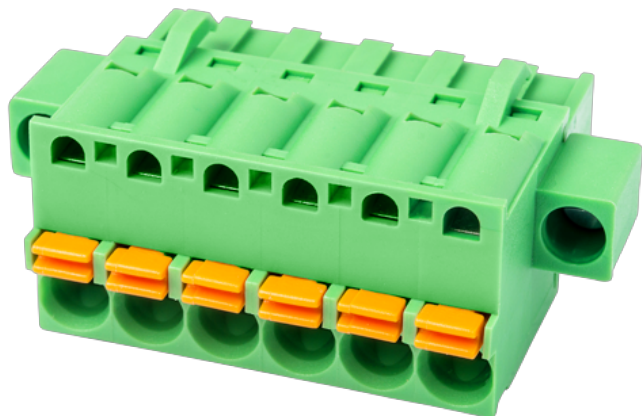


# 5ESDSM-XXP

PCB > PCB -

:2026-07-04 :1.1



Pitch : 5.00 mm, 300V, 10A

	PCB Connector Plug, Push in design
	PCB Connector – Plug
(mm)	5.00
	Green (default)
	Push in Design
	With screw flange
(mm)	$5.00 * P + 10.00$
(mm)	25.9
(mm)	15
( )	02P~24P
	Single level
	PA
	I
UL 94	V0
	500M at DC 500V
	COPPER ALLOY

Tin PLATED

**-IEC**

(V)	600
(A)	12
(II/2)(V)	600
(III/2)(V)	320
(III/3)(V)	250
(II/2)(KV)	4
(III/2)(KV)	4
(III/3)(KV)	4
(mm <sup>2</sup> )	0.2
(mm <sup>2</sup> )	2.5
(mm <sup>2</sup> )	0.2
(mm <sup>2</sup> )	2.5
(mm <sup>2</sup> ) , ,	0.25
(mm <sup>2</sup> ) , ,	2.5
(mm <sup>2</sup> ) , ,	0.25
(mm <sup>2</sup> ) , ,	2.5
<sup>2</sup> (mm <sup>2</sup> ) , ,	0.5
<sup>2</sup> (mm <sup>2</sup> ) , ,	1
	12

**-UL**

(UL/CUL Group B)(V)	300
(UL/CUL Group B)(A)	10
(UL/CUL Group D)(V)	300
(UL/CUL Group D)(A)	10
UL/CUL AWG	26
UL/CUL AWG	12
UL/CUL AWG	26
UL/CUL AWG	12

&amp;

가 (YES or NO)	YES
	120
	-40

UL

(Group B)(AWG)	26~12
(Group B)(V)	300
(Group B)(A)	10
(Group D)(AWG)	26~12
(Group D)(V)	300
(Group D)(A)	10

CUL

(Group B)(AWG)	26~12
(Group B)(V)	300
(Group B)(A)	10
(Group D)(AWG)	26~12
(Group D)(V)	300
(Group D)(A)	10

VDE

(mm <sup>2</sup> )	0.2~2.5
(V)	600
(A)	12

--	--

