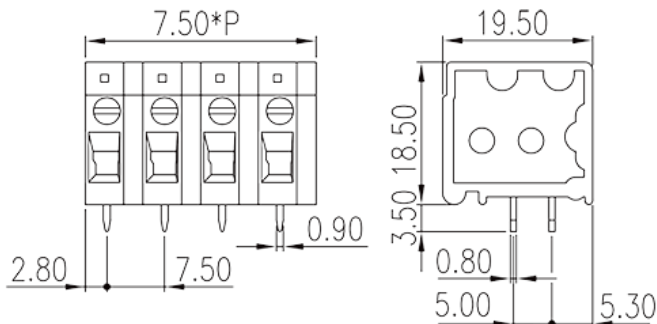


DT-123RA-XXP3

PCB > PCB

:2026-07-04 :V1



Pitch : 7.50mm, 300V, 26A(FW1)/&/20A(FW2)

	PCB Terminal Blocks, Front Screw Connection
	PCB Terminal Blocks
(mm)	7.50
	Green (default)
	Front Screw Connection
	Without
(mm)	$7.50 \times (P-1) + 7.5$
(mm)	19.5
(mm)	18.5
(x) (mm)	0.8x0.9
PCB (mm)	1.5
()	02P~16P
	Single level
	PBT
	IIIa
UL 94	V0



	1000M at DC 500V
	COPPER ALLOY
	Tin PLATED

-IEC

(V)	500
(A)	32
(II/2)(V)	630
(III/2)(V)	500
(III/3)(V)	400
(II/2)(KV)	6
(III/2)(KV)	6
(III/3)(KV)	6
(mm ²)	0.5
(mm ²)	4
(mm ²)	0.5
(mm ²)	4
(mm ²) , ,	0.5
(mm ²) , ,	1.5
(mm ²) , ,	0.5
(mm ²) , ,	1.5
2 (mm ²)	0.5
2 (mm ²)	1
2 (mm ²)	0.5
2 (mm ²)	1
(mm ²) 2 , ,	0.5
(mm ²) 2 , ,	0.75
2 (mm ²) , ,	0.5
2 (mm ²) , ,	1
	M2.5



Width) (mm)	(Blade thickness x	0.6x3.5
	(N.m)	0.4
	(N.m)	0.5
		13~14

-UL

(UL/CUL Group B)(V)		300
(UL/CUL Group B)(A)		26(FW1)/20(FW2)
(UL/CUL Group D)(V)		300
(UL/CUL Group D)(A)		10
UL/CUL	AWG	22
UL/CUL	AWG	12
UL/CUL	AWG	22
UL/CUL	AWG	12

&

가	(YES or NO)	YES
		120
		-40

UL

(Group B)(AWG)		22~12
(Group B)(V)		300
(Group B)(A)		26(FW1)/20(FW2)
(Group D)(AWG)		22~12
(Group D)(V)		300
(Group D)(A)		10

CUL

(Group B)(AWG)		22~12
(Group B)(V)		300
(Group B)(A)		26(FW1)/20(FW2)
(Group D)(AWG)		22~12
(Group D)(V)		300

(Group D)(A)

10

VDE

(mm ²)	0.5~4
(V)	500
(A)	32

