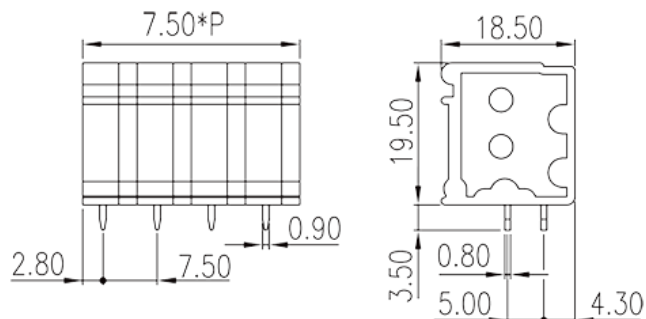


# DT-123VA-XXP3

PCB > PCB

:2026-05-14 :V1



Pitch : 7.50mm, 300V, 26A(FW1)/20A(FW2)

	PCB Terminal Blocks, Front Screw Connection
	PCB Terminal Blocks
(mm)	7.50
	Green (default)
	Front Screw Connection
	Without
(mm)	$7.50 \times (P-1) + 7.5$
(mm)	18.5
(mm)	19.5
(    x    ) (mm)	0.8x0.9
PCB        (mm)	1.5
(    )	02P~16P
	Single level
	PBT
	IIIa
UL 94	V0



			1000M at DC 500V
			COPPER ALLOY
			Tin PLATED
<b>-IEC</b>			
(V)			320
(A)			24
(II/2)(V)			630
(III/2)(V)			320
(III/3)(V)			320
(II/2)(KV)			6
(III/2)(KV)			6
(III/3)(KV)			6
(mm <sup>2</sup> )			0.5
(mm <sup>2</sup> )			2.5
(mm <sup>2</sup> )			0.5
(mm <sup>2</sup> )			2.5
(mm <sup>2</sup> )	,	,	0.5
(mm <sup>2</sup> )	,	,	1.5
(mm <sup>2</sup> )	,	,	0.5
(mm <sup>2</sup> )	,	,	1.5
2	(mm <sup>2</sup> )		0.5
2	(mm <sup>2</sup> )		1
2	(mm <sup>2</sup> )		0.5
2	(mm <sup>2</sup> )		1
(mm <sup>2</sup> )	2	,	0.5
(mm <sup>2</sup> )	2	,	0.75
(mm <sup>2</sup> )	2	,	0.5
(mm <sup>2</sup> )	2	,	1
			M2.5



Width) (mm)	(Blade thickness x	0.6x3.5
	(N.m)	0.4
	(N.m)	0.5
		13~14

**-UL**

(UL/CUL Group B)(V)		300
(UL/CUL Group B)(A)		26(FW1)/20(FW2)
(UL/CUL Group D)(V)		300
(UL/CUL Group D)(A)		10
UL/CUL	AWG	22
UL/CUL	AWG	12
UL/CUL	AWG	22
UL/CUL	AWG	12

**&**

가	(YES or NO)	YES
		120
		-40

**UL**

(Group B)(AWG)		22~12
(Group B)(V)		300
(Group B)(A)		26(FW1)/20(FW2)
(Group D)(AWG)		22~12
(Group D)(V)		300
(Group D)(A)		10

**CUL**

(Group B)(AWG)		22~12
(Group B)(V)		300
(Group B)(A)		26(FW1)/20(FW2)
(Group D)(AWG)		22~12
(Group D)(V)		300

(Group D)(A)

10

VDE

(mm <sup>2</sup> )	0.5~2.5
(V)	630
(A)	24

