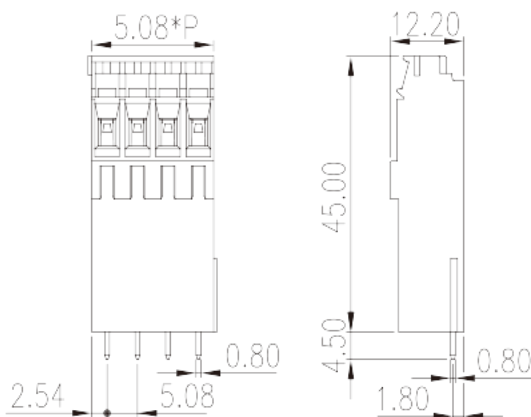


E3SK508V-XXP

PCB > PCB

:2026-07-04 :V1



Pitch : 5.08mm, 300V, 20A

		PCB Terminal Blocks, Screw Connection
		PCB Terminal Blocks
(mm)		5.08
		Green (default)
		Screw Connection
		Without
(mm)		5.08*(P-1)+5.08
(mm)		12.2
(mm)		45
(x) (mm)		0.8x0.8
PCB (mm)		1.3
()		02P~16P
		Single level
		PA
		I
UL 94		V0



	500M at DC 500V
	COPPER ALLOY
	Tin PLATED

-IEC

(V)	400
(A)	24
(II/2)(V)	630
(III/2)(V)	320
(III/3)(V)	250
(II/2)(KV)	4
(III/2)(KV)	4
(III/3)(KV)	4
(mm ²)	0.5
(mm ²)	2.5
(mm ²)	0.5
(mm ²)	2.5
(mm ²) , ,	0.5
(mm ²) , ,	2.5
(mm ²) , ,	0.5
(mm ²) , ,	2.5
2 (mm ²)	0.5
2 (mm ²)	1.5
2 (mm ²)	0.5
2 (mm ²)	1.5
(mm ²) 2 , ,	0.5
(mm ²) 2 , ,	1.5
2 (mm ²) , ,	0.5
2 (mm ²) , ,	1.5
	M3

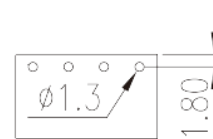
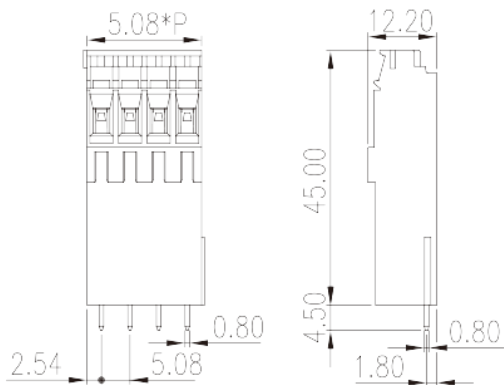
Width)(mm)	(Blade thickness x	0.6x3.5
	(N.m)	0.5
		8~9

-UL

(UL/CUL Group B)(V)		300
(UL/CUL Group B)(A)		20
UL/CUL	AWG	26
UL/CUL	AWG	12
UL/CUL	AWG	26
UL/CUL	AWG	12

&

가	(YES or NO)	YES
		120
		-40





Delight Through Connections