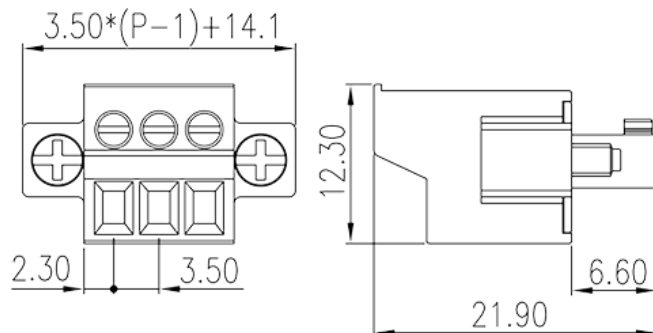


EC350FM-XXP

PCB > PCB -

:2026-05-14 :1.1



Pitch : 3.50 mm, 300V, 8A

	PCB Connector – Plug, Screw Connection
	PCB Connector – Plug
(mm)	3.5
	Green (default)
	Screw Connection
	With screw flange
(mm)	$3.50 \times (P-1) + 14.1$
(mm)	21.9
(mm)	12.3
()	02P~24P
	Single level
	PA
	I
UL 94	V0
	500M at DC 500V
	COPPER ALLOY

		Tin PLATED
-IEC		
(V)		320
(A)		14
(II/2)(V)		320
(III/2)(V)		160
(III/3)(V)		160
(II/2)(KV)		2.5
(III/2)(KV)		2.5
(III/3)(KV)		2.5
(mm ²)		0.2
(mm ²)		1.5
(mm ²)		0.2
(mm ²)		1.5
(mm ²)	,	0.5
(mm ²)	,	1
(mm ²)	,	0.25
(mm ²)	,	0.75
2	(mm ²)	0.2
2	(mm ²)	0.5
2	(mm ²)	0.2
2	(mm ²)	0.5
(mm ²) ²	,	0.5
(mm ²) ²	,	0.5
(mm ²) ²	,	0.5
(mm ²) ²	,	0.5
		M2
Width)(mm)	(Blade thickness x	0.4x2.5
Philips		PH0



(N.m)	0.2
	8~9

-UL

(UL/CUL Group B)(V)	300
(UL/CUL Group B)(A)	8
UL/CUL AWG	30
UL/CUL AWG	16
UL/CUL AWG	30
UL/CUL AWG	14

&

가 (YES or NO)	YES
	120
	-40

UL

(Group B)(AWG)	14~30
(Group B)(V)	300
(Group B)(A)	8
(Group D)(AWG)	30~14
(Group D)(V)	300
(Group D)(A)	8

CUL

(Group B)(AWG)	30~14
(Group B)(V)	300
(Group B)(A)	8
(Group D)(AWG)	30~14
(Group D)(V)	300
(Group D)(A)	8

--	--

