

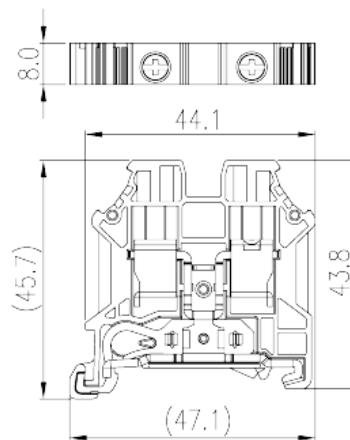
DK6N-PE

DIN

>

:2026-07-04

:1.2



M4, Green-Yellow (default)

	Grounding Terminal Block, Screw Connection
	Grounding terminal blocks
	Green-Yellow (default)
	Screw connection
	Rail mounting
(mm)	47.1
(mm)	8
(mm)	45.7
()	1P
	Single level
	2
	PA
	I
UL 94	V0
	500M at DC 500V

-IEC

(V)		1000
(III/3)(V)		1000
(III/3)(KV)		8
(mm ²)		0.2
(mm ²)		10
(mm ²)		0.2
(mm ²)		6
(mm ²)	,	0.25
(mm ²)	,	6
(mm ²)	,	0.25
(mm ²)	,	4
2	(mm ²)	0.2
2	(mm ²)	6
2	(mm ²)	0.2
2	(mm ²)	4
(mm ²)	2 ,	0.25
(mm ²)	2 ,	4
(mm ²)	2 ,	0.5
(mm ²)	2 ,	4
		M4
Width)(mm)	(Blade thickness x	0.8x4.0
Philips		PH2
(N.m)		1.2
		14~16
		TS-35/ TS-35/15
		YES
		YES

-UL



(UL/CUL Group B)(V)		600
(UL/CUL Group C)(V)		600
UL/CUL	AWG	20
UL/CUL	AWG	8
UL/CUL	AWG	20
UL/CUL	AWG	8

&

(YES or NO)		YES
가 (YES or NO)		YES
		110
		-40

UL

(Group B)(AWG)		20~8
(Group B)(V)		600
(Group C)(AWG)		20~8
(Group C)(V)		600

CUL

(Group B)(AWG)		20~8
(Group B)(V)		600
(Group C)(AWG)		20~8
(Group C)(V)		600

VDE

(mm ²)		0.2~6
(V)		1000

--	--	--

