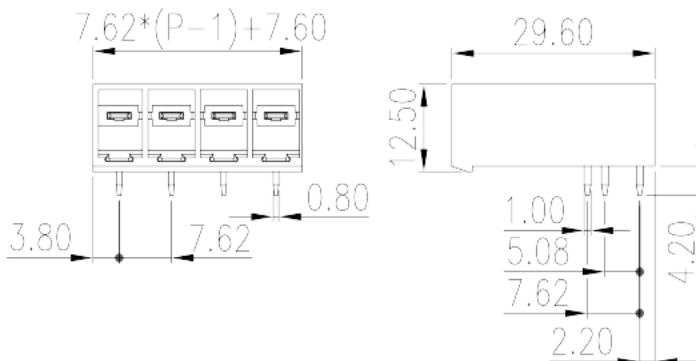
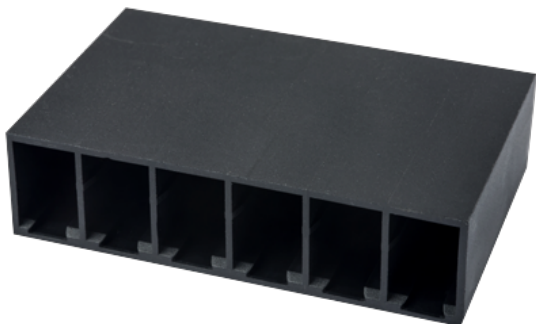


ECH762RR-XXP

PCB > PCB -

:2025-05-01 :V1



Pitch : 7.62 mm, 300V, 41A

	PCB Connector – Socket, Wave soldering
	PCB Connector – Socket
(mm)	7.62
	Black (default)
	Without
	Reflow soldering
(mm)	$7.62 * (P-1) + 7.6$
(mm)	29.6
(mm)	12.5
(x) (mm)	0.8x1.0
PCB (mm)	1.3
()	02P~12P
	Single level
	PBT
	IIIa
UL 94	V0



	1000M at DC 500V
	COPPER ALLOY
	Tin PLATED

-IEC

(V)	1000
(A)	41
(II/2)(V)	1000
(III/2)(V)	630
(III/3)(V)	630
(II/2)(KV)	6
(III/2)(KV)	6
(III/3)(KV)	6

-UL

(UL/CUL Group B)(V)	300
(UL/CUL Group B)(A)	41
(UL/CUL Group C)(V)	300
(UL/CUL Group C)(A)	41
(UL/CUL Group D)(V)	600
(UL/CUL Group D)(A)	41

&

가 (YES or NO)	YES
	120
	-40

UL

(Group B)(V)	300
(Group B)(A)	41
(Group C)(V)	300
(Group C)(A)	41
(Group D)(V)	600
(Group D)(A)	5

CUL

(Group B)(V)	300
(Group B)(A)	41
(Group C)(V)	300
(Group C)(A)	41
(Group D)(V)	600
(Group D)(A)	5

