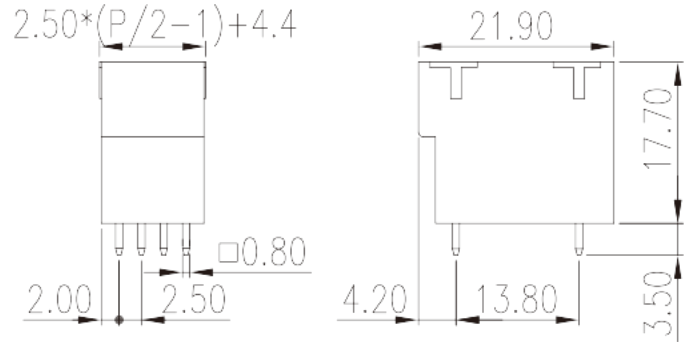
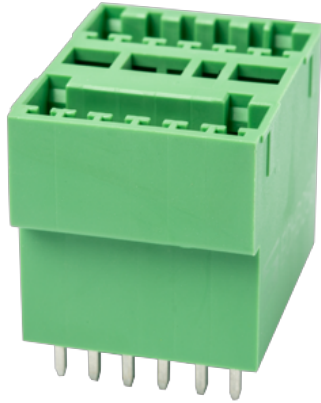


ECHB250V-XXP

PCB > PCB -

:2026-07-04 :V1



Pitch : 2.50 mm, 150V, 4A

	PCB Connector – Socket, Wave soldering
	PCB Connector – Socket
(mm)	2.50
	Green (default)
	Without
	Wave soldering
(mm)	$2.50 * (P/2 - 1) + 4.4$
(mm)	21.9
(mm)	17.7
(x) (mm)	0.8x0.8
PCB (mm)	1.3~1.4
()	04P~48P
	Double level
	PA
	I
UL 94	V0



	500M at DC 500V
	COPPER ALLOY
	Tin PLATED

-IEC

(V)	320
(A)	14
(II/2)(V)	320
(III/2)(V)	160
(III/3)(V)	160
(II/2)(KV)	2.5
(III/2)(KV)	2.5
(III/3)(KV)	2.5

-UL

(UL/CUL Group B)(V)	150
(UL/CUL Group B)(A)	4
(UL/CUL Group D)(V)	150
(UL/CUL Group D)(A)	4

&

가 (YES or NO)	YES
	120
	-40

--	--

$$2.50 \times (P/2 - 1) + 4.4$$

