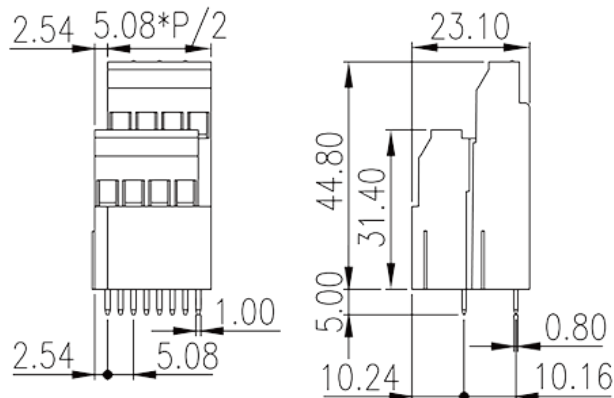


# EHK508V2L-XXP

PCB > PCB

:2026-07-05 :V1



Pitch : 5.08mm, 300V, 20A

	PCB Terminal Blocks, Screw Connection
	PCB Terminal Blocks
(mm)	5.08
	Green (default)
	Screw Connection
	Without
(mm)	$5.08 * (P/2 - 1) + 7.62$
(mm)	23.1
(mm)	44.8
(    x    ) (mm)	0.8*1
PCB (mm)	1.6
(    )	04P~48P
	Double level
	PA
	I
UL 94	V0



	500M at DC 500V
	COPPER ALLOY
	Tin PLATED

**-IEC**

(V)	400
(A)	24
(II/2)(V)	400
(III/2)(V)	320
(III/3)(V)	320
(II/2)(KV)	4
(III/2)(KV)	4
(III/3)(KV)	4
(mm <sup>2</sup> )	0.5
(mm <sup>2</sup> )	2.5
(mm <sup>2</sup> )	0.5
(mm <sup>2</sup> )	2.5
(mm <sup>2</sup> ) , ,	0.5
(mm <sup>2</sup> ) , ,	1.5
(mm <sup>2</sup> ) , ,	0.5
(mm <sup>2</sup> ) , ,	1.5
2 (mm <sup>2</sup> )	0.5
2 (mm <sup>2</sup> )	1
2 (mm <sup>2</sup> )	0.5
2 (mm <sup>2</sup> )	1
(mm <sup>2</sup> ) 2 , ,	0.5
(mm <sup>2</sup> ) 2 , ,	1
	M2.5
Width)(mm) (Blade thickness x	0.6x3.5
(N.m)	0.4
	7~8

### -UL

(UL/CUL Group B)(V)		300
(UL/CUL Group B)(A)		25
(UL/CUL Group D)(V)		300
(UL/CUL Group D)(A)		10
UL/CUL	AWG	24
UL/CUL	AWG	12
UL/CUL	AWG	24
UL/CUL	AWG	12

### &

가	(YES or NO)	YES
		120
		-40

### UL

(Group B)(AWG)		24~12
(Group B)(V)		300
(Group B)(A)		25(FW1)/20(FW2)
(Group D)(AWG)		24~12
(Group D)(V)		300
(Group D)(A)		10

### CUL

(Group B)(AWG)		24~12
(Group B)(V)		300
(Group B)(A)		25(FW1)/20(FW2)
(Group D)(AWG)		24~12
(Group D)(V)		300
(Group D)(A)		10

