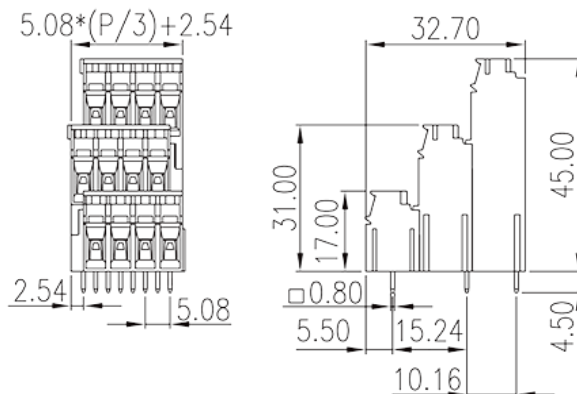


ESK508V3L-XXP

PCB > PCB

:2026-07-05 :1.1



Pitch : 5.08mm, 300V, 23A

	PCB Terminal Blocks, Screw Connection
	PCB Terminal Blocks
(mm)	5.08
	Green (default)
	Screw Connection
	Without
(mm)	$5.08 * (P/3 - 1) + 7.62$
(mm)	32.7
(mm)	45
(x) (mm)	0.8x0.8
PCB (mm)	1.3
()	06P~48P
	Triple level
	PA
	I
UL 94	V0



	500M at DC 500V
	COPPER ALLOY
	Tin PLATED

-IEC

(V)	400
(A)	24
(II/2)(V)	630
(III/2)(V)	400
(III/3)(V)	250
(II/2)(KV)	4
(III/2)(KV)	4
(III/3)(KV)	4
(mm ²)	0.5
(mm ²)	2.5
(mm ²)	0.5
(mm ²)	2.5
(mm ²) , ,	0.5
(mm ²) , ,	2.5
(mm ²) , ,	0.5
(mm ²) , ,	2.5
2 (mm ²)	0.5
2 (mm ²)	1.5
2 (mm ²)	0.5
2 (mm ²)	1.5
(mm ²) 2 , ,	0.5
(mm ²) 2 , ,	1.5
2 (mm ²) , ,	0.5
2 (mm ²) , ,	0.5
	M3

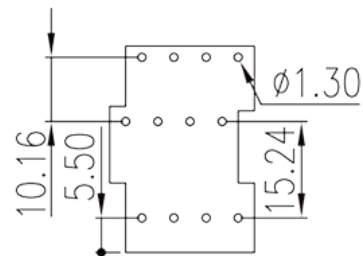
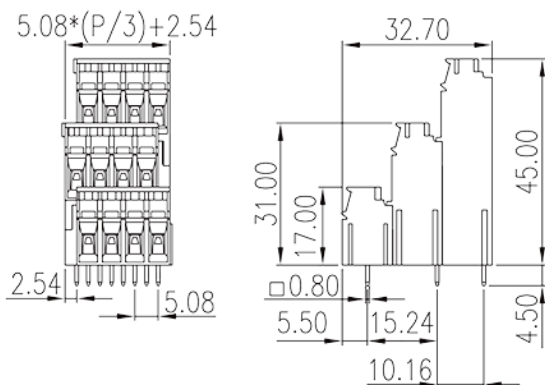
Width) (mm)	(Blade thickness x	0.6x3.5
(N.m)		0.5
		8~9

-UL

(UL/CUL Group B)(V)		300
(UL/CUL Group B)(A)		23
(UL/CUL Group D)(V)		300
(UL/CUL Group D)(A)		10
UL/CUL	AWG	26
UL/CUL	AWG	12
UL/CUL	AWG	26
UL/CUL	AWG	12

&

가	(YES or NO)	YES
		120
		-40





Delight Through Connections

