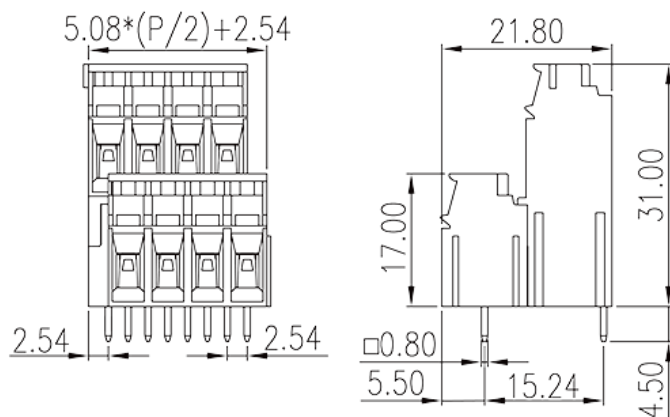


# ESK508V4L-XXP

PCB &gt; PCB

:2026-07-05 :1.1



Pitch : 5.08mm, 300V, 23A

	PCB Terminal Blocks, Screw Connection
	PCB Terminal Blocks
(mm)	5.08
	Green (default)
	Screw Connection
	Without
(mm)	$5.08 * (P/2 - 1) + 7.62$
(mm)	21.8
(mm)	31
(    x    ) (mm)	0.8x0.8
PCB (mm)	1.3
(    )	04P~32P
	Double level
	PA
	I
UL 94	V0



	500M at DC 500V
	COPPER ALLOY
	Tin PLATED

**-IEC**

(V)	400
(A)	24
(II/2)(V)	630
(III/2)(V)	400
(III/3)(V)	250
(II/2)(KV)	4
(III/2)(KV)	4
(III/3)(KV)	4
(mm <sup>2</sup> )	0.5
(mm <sup>2</sup> )	2.5
(mm <sup>2</sup> )	0.5
(mm <sup>2</sup> )	2.5
(mm <sup>2</sup> ) , ,	0.5
(mm <sup>2</sup> ) , ,	2.5
(mm <sup>2</sup> ) , ,	0.5
(mm <sup>2</sup> ) , ,	2.5
2 (mm <sup>2</sup> )	0.5
2 (mm <sup>2</sup> )	1.5
2 (mm <sup>2</sup> )	0.5
2 (mm <sup>2</sup> )	1.5
(mm <sup>2</sup> ) 2 , ,	0.5
(mm <sup>2</sup> ) 2 , ,	1.5
2 (mm <sup>2</sup> ) , ,	0.5
2 (mm <sup>2</sup> ) , ,	1.5
	M3

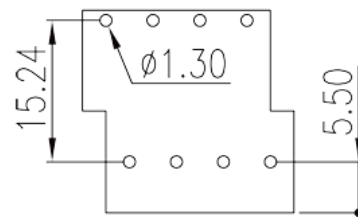
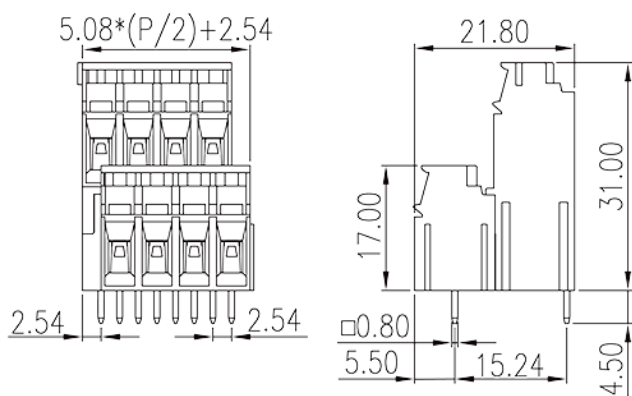
Width)(mm)	(Blade thickness x	0.6x3.5
(N.m)		0.5
		8~9

### -UL

(UL/CUL Group B)(V)		300
(UL/CUL Group B)(A)		23
(UL/CUL Group D)(V)		300
(UL/CUL Group D)(A)		10
UL/CUL	AWG	26
UL/CUL	AWG	12
UL/CUL	AWG	26
UL/CUL	AWG	12

### &

가 (YES or NO)		YES
		120
		-40





Delight Through Connections

