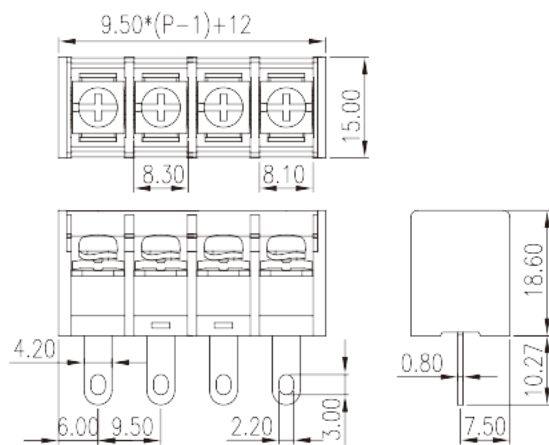
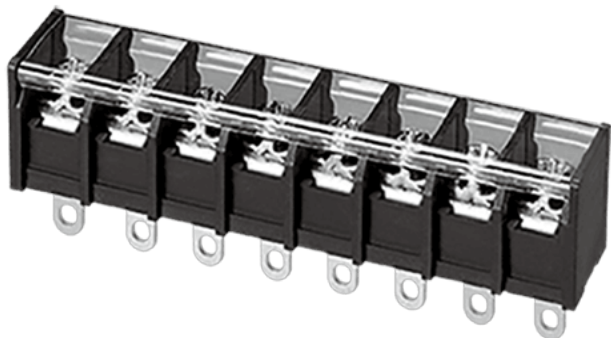


DT-4C-B02W-XX

>

:2026-07-05 :1.1



Pitch: 9.50mm , M3.5, 300V, 20A

	Barrier terminal blocks , Screw connection
	Single Row
(mm)	9.50
	Black(default)
	Screw connection
	Without
(x) (mm)	0.8X1.5
PCB (mm)	2.0~2.1
	Single Row
	PBT
	IIIa
UL 94	V0
	Copper Alloy
	Tinned

-IEC



(V)		500
(A)		24
(II/2)(V)		630
(III/2)(V)		500
(III/3)(V)		400
(II/2)(KV)		8
(III/2)(KV)		8
(III/3)(KV)		8
(mm ²)		0.2
(mm ²)		2.5
(mm ²)		0.2
(mm ²)		2.5
2	(mm ²)	1.5
2	(mm ²)	1.5
		M3.5
Width)(mm)	(Blade thickness x	0.8x4.0
Philips		PH2
(N.m)		1.2
(N.m)		0.8
(N.m)		1.2
		8~9

-UL

(UL/CUL Group B)(V)		300
(UL/CUL Group B)(A)		20
(UL/CUL Group D)(V)		300
(UL/CUL Group D)(A)		10
UL/CUL	AWG	22
UL/CUL	AWG	12
UL/CUL	AWG	22
UL/CUL	AWG	12

&

(YES or NO)		YES
-------------	--	-----

	130
	-40

UL

(Group B)(AWG)	22~12
(Group B)(V)	300
(Group B)(A)	20
(Group D)(AWG)	22~12
(Group D)(V)	300
(Group D)(A)	10

CUL

(Group B)(AWG)	22~12
(Group B)(V)	300
(Group B)(A)	20
(Group D)(AWG)	22~12
(Group D)(V)	300
(Group D)(A)	10

VDE

(mm ²)	0.2~2.5
(V)	500
(A)	24

