

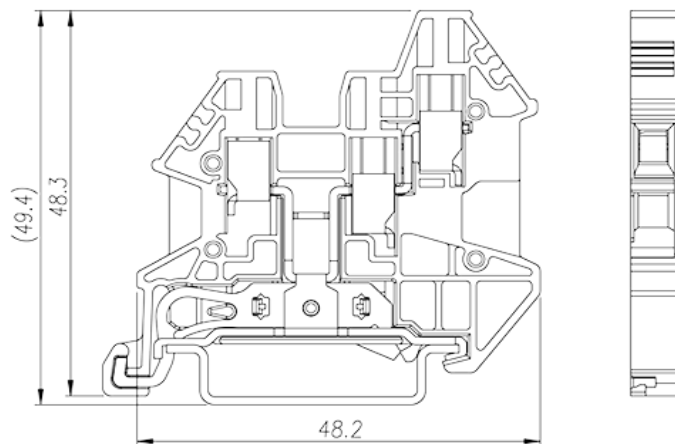
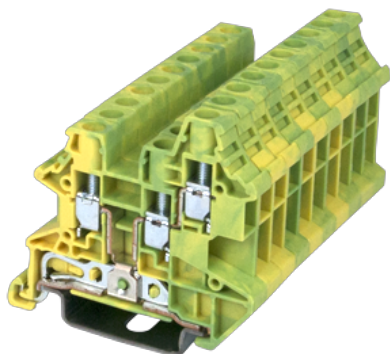
DK4N-TN-PE

DIN

>

:2026-07-05

:1.2



M3, Green-Yellow (default)

	DIN rail terminal blocks, Grounding terminal blocks
	Grounding terminal blocks
	Green-Yellow (default)
	Screw connection
	Rail mounting
(mm)	6.1
(mm)	52.3
(mm)	48.3
	Double level
	3
	PA
	I
UL 94	V0
	500M at DC 500V

-IEC

(II/2)(KV)		8
(III/2)(KV)		8
(III/3)(KV)		8
(mm ²)		0.14
(mm ²)		6
(mm ²)		0.14
(mm ²)		4
(mm ²)	,	0.25
(mm ²)	,	4
(mm ²)	,	0.25
(mm ²)	,	4
2	(mm ²)	1.5
2	(mm ²)	1.5
(mm ²) ²	,	0.25
(mm ²) ²	,	1
(mm ²) ²	,	0.5
(mm ²) ²	,	1.5
		M3
Width)(mm)	(Blade thickness x	0.6x3.5
Philips		PH1
(N.m)		0.6
		9~11
		TS-35
		YES
		YES

-UL

UL/CUL	AWG	28
UL/CUL	AWG	10
UL/CUL	AWG	28

UL/CUL	AWG	10
&		
(YES or NO)		YES
가 (YES or NO)		YES
		120
		-40

VDE

(mm ²)	0.14~4
--------------------	--------

