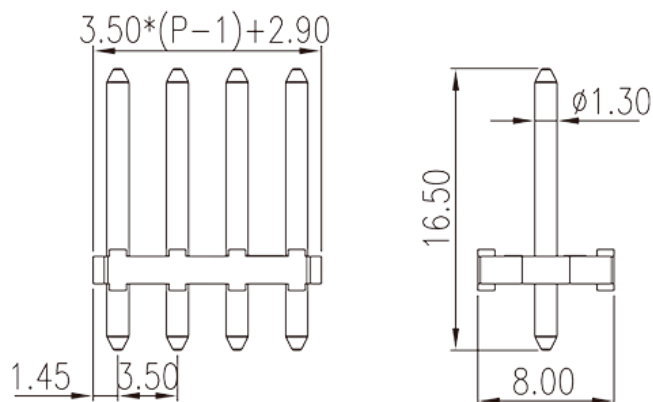


0191-11XTH

PCB > PCB -

:2026-07-04 :V1



Pitch : 3.50 mm, 150V, 2A

	PCB Connector – Socket, Reflow soldering
	PCB Connector – Socket
(mm)	3.50
	Black (default)
	Without
	Reflow Soldering (Temperature condition according to standard IPC/JEDEC J-STD-020E)
(mm)	$3.50 * (P-1) + 2.9$
(mm)	8
(mm)	16.5
(x) (mm)	1.3
PCB (mm)	1.5
()	02P~20P
	Single level
	HIGH-TEMPERATURE PLASTICS
	IIIa



UL 94	V0
	500M at DC 500V
	COPPER ALLOY
	Tin PLATED
MSL	4

-IEC

(V)	160
(A)	4
(II/2)(V)	200
(III/2)(V)	160
(III/3)(V)	100
(II/2)(KV)	3
(III/2)(KV)	3
(III/3)(KV)	3

-UL

(UL/CUL Group B)(V)	150
(UL/CUL Group B)(A)	2

&

	120
	-40

UL

(Group B)(V)	150
(Group B)(A)	2

CUL

(Group B)(V)	150
(Group B)(A)	2

--	--

