

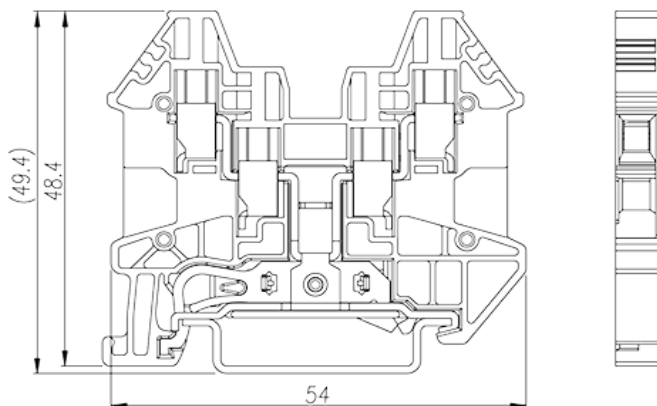
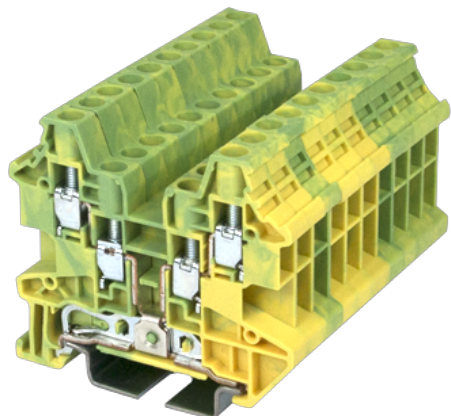
# DK4N-TR-PE

DIN

>

:2026-07-04

:1.2



M3, Green-Yellow (default)

	DIN rail terminal blocks, Grounding terminal blocks
	Grounding terminal blocks
	Green-Yellow (default)
	Screw connection
	Rail mounting
(mm)	6.1
(mm)	55.1
(mm)	48.4
	Double level
	4
	PA
	I
UL 94	V0
	500M at DC 500V

-IEC



(II/2)(KV)		8
(III/2)(KV)		8
(III/3)(KV)		8
(mm <sup>2</sup> )		0.14
(mm <sup>2</sup> )		6
(mm <sup>2</sup> )		0.14
(mm <sup>2</sup> )		4
(mm <sup>2</sup> )	,	0.25
(mm <sup>2</sup> )	,	4
(mm <sup>2</sup> )	,	0.25
(mm <sup>2</sup> )	,	4
2	(mm <sup>2</sup> )	1.5
2	(mm <sup>2</sup> )	1.5
(mm <sup>2</sup> ) <sup>2</sup>	,	0.25
(mm <sup>2</sup> ) <sup>2</sup>	,	1
(mm <sup>2</sup> ) <sup>2</sup>	,	0.5
(mm <sup>2</sup> ) <sup>2</sup>	,	1.5
		M3
Width)(mm)	(Blade thickness x	0.6x3.5
Philips		PH1
(N.m)		0.6
		9~11
		TS-35
		YES
		YES

**-UL**

UL/CUL	AWG	28
UL/CUL	AWG	10
UL/CUL	AWG	28

UL/CUL	AWG	10
<b>&amp;</b>		
(YES or NO)		YES
가 (YES or NO)		YES
		120
		-40

**VDE**

(mm <sup>2</sup> )	0.14~4
--------------------	--------

