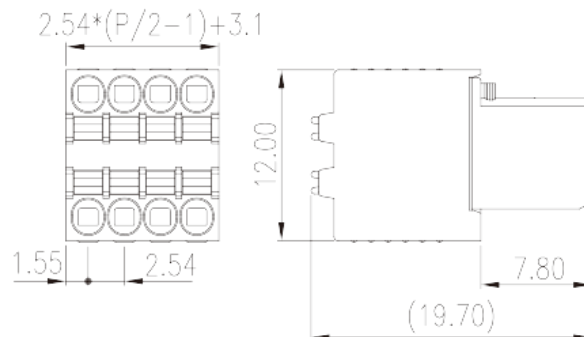


0156-1BXX-BK

PCB > PCB -

:2026-07-05 :1.1



Pitch : 2.54 mm, 150V, 5A

	PCB Connector – Plug, Push-in Design
	PCB Connector – Plug
(mm)	2.54
	Black (default)
	Push in Design
	Without
(mm)	$2.54 * (P/2 - 1) + 3.1$
(mm)	12
(mm)	19.7
()	06P~44P
	Double level
	PA
	I
UL 94	V0
	500M at DC 500V
	COPPER ALLOY

Tin PLATED

-IEC

(V)	320
(A)	6
(II/2)(V)	320
(III/2)(V)	160
(III/3)(V)	160
(II/2)(KV)	2.5
(III/2)(KV)	2.5
(III/3)(KV)	2.5
(mm ²)	0.2
(mm ²)	0.5
(mm ²)	0.2
(mm ²)	0.5
(mm ²) , ,	0.25
(mm ²) , ,	0.5
(mm ²) , ,	0.25
(mm ²) , ,	0.34
	7~8

-UL

(UL/CUL Group B)(V)	150
(UL/CUL Group B)(A)	5
UL/CUL AWG	30
UL/CUL AWG	20
UL/CUL AWG	30
UL/CUL AWG	20

&

가 (YES or NO)	YES
	120
	-40

UL

(Group B)(AWG)	30~20
(Group B)(V)	150
(Group B)(A)	5

CUL

(Group B)(AWG)	30~20
(Group B)(V)	150
(Group B)(A)	5

