

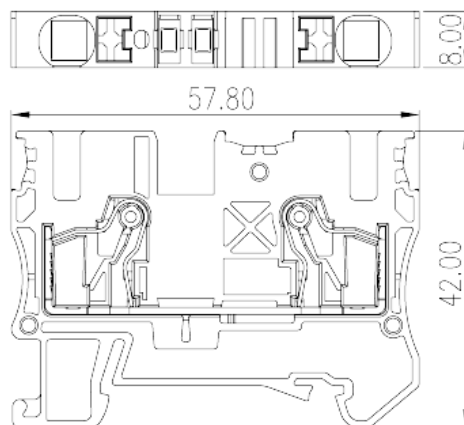
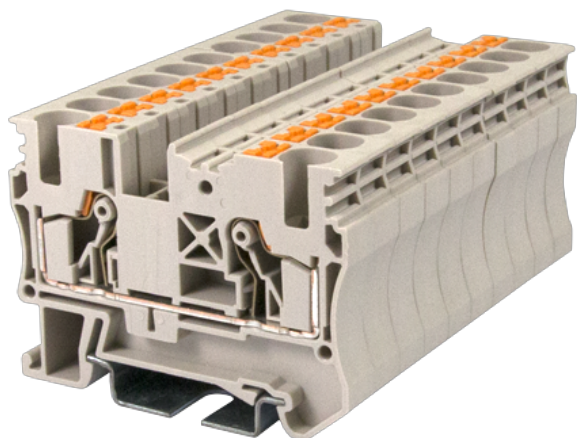
DP6N

DIN

>

:2026-07-04

:1.1



600V, 40A, Beige (default)

	Single level Feed-Through Terminal Block, Push-in Design
	Single level Feed Through Terminal Block
	Beige (default)
	Push-in Design
	Rail Mounting
(mm)	57.8
(mm)	8
(mm)	42
()	1P
	Single level
	2
	PA
	I
UL 94	V0
	500M at DC 500V

-IEC

(V)	1000
(A)	41
(III/3)(V)	1000
(III/3)(KV)	8
(mm ²)	0.5
(mm ²)	10
(mm ²)	0.5
(mm ²)	6
(mm ²) , ,	0.5
(mm ²) , ,	6
(mm ²) , ,	0.5
(mm ²) , ,	6
² (mm ²) , ,	0.5
² (mm ²) , ,	1.5
Width)(mm) (Blade thickness x	0.8x4.0
	12
	TS-35、TS-35/15
	YES
	NO

-UL

(UL/CUL Group B)(V)	600
(UL/CUL Group B)(A)	40
(UL/CUL Group C)(V)	600
(UL/CUL Group C)(A)	40
(UL/CUL Group D)(V)	600
(UL/CUL Group D)(A)	5
UL/CUL AWG	20
UL/CUL AWG	8
UL/CUL AWG	20

UL/CUL	AWG	8
&		
	(YES or NO)	YES
가	(YES or NO)	YES
		120
		-40

UL

	(Group B)(AWG)	20~8
	(Group B)(V)	600
	(Group B)(A)	40
	(Group C)(AWG)	20~8
	(Group C)(V)	600
	(Group C)(A)	40
	(Group D)(AWG)	20~8
	(Group D)(V)	600
	(Group D)(A)	5

CUL

	(Group B)(AWG)	20~8
	(Group B)(V)	600
	(Group B)(A)	40
	(Group C)(AWG)	20~8
	(Group C)(V)	600
	(Group C)(A)	40
	(Group D)(AWG)	20~8
	(Group D)(V)	600
	(Group D)(A)	5

VDE

	(mm ²)	0.5~6
	(V)	1000
	(A)	41

