

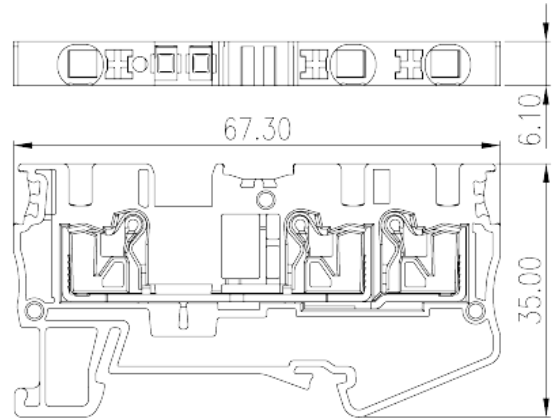
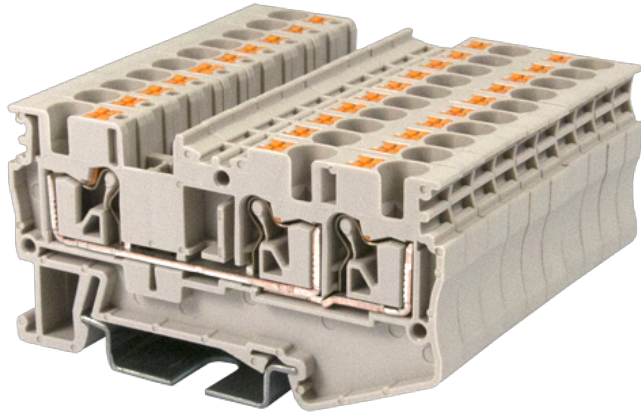
DP4N-TN

DIN

>

:2026-07-04

:1.1



600V, 30A, Beige (default)

	Single level Feed-Through Terminal Block, Push-in Design
	Single level Feed Through Terminal Block
	Beige (default)
	Push-in Design
	Rail Mounting
(mm)	67.3
(mm)	6.1
(mm)	35
()	1P
	Single level
	3
	PA
	I
UL 94	V0
	500M at DC 500V

-IEC

(V)	800
(A)	32
(III/3)(V)	800
(III/3)(KV)	8
(mm ²)	0.2
(mm ²)	6
(mm ²)	0.2
(mm ²)	4
(mm ²) , ,	0.25
(mm ²) , ,	4
(mm ²) , ,	0.25
(mm ²) , ,	4
² (mm ²) , ,	0.5
² (mm ²) , ,	1
Width)(mm) (Blade thickness x	0.8x4.0
	12
	TS-35、TS-35/15
	YES
	NO

-UL

(UL/CUL Group B)(V)	600
(UL/CUL Group B)(A)	30
(UL/CUL Group C)(V)	600
(UL/CUL Group C)(A)	30
UL/CUL AWG	24
UL/CUL AWG	10
UL/CUL AWG	24
UL/CUL AWG	10

&

(YES or NO)	YES
가 (YES or NO)	YES
	120
	-40

UL

(Group B) (AWG)	24~10
(Group B) (V)	600
(Group B) (A)	30
(Group C) (AWG)	24~10
(Group C) (V)	600
(Group C) (A)	30

CUL

(Group B) (AWG)	24~10
(Group B) (V)	600
(Group B) (A)	30
(Group C) (AWG)	24~10
(Group C) (V)	600
(Group C) (A)	30

