

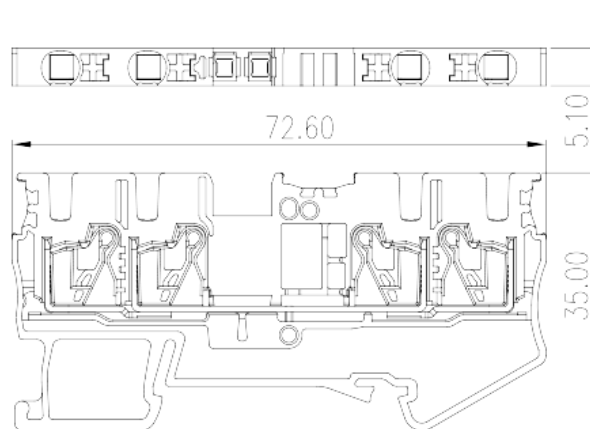
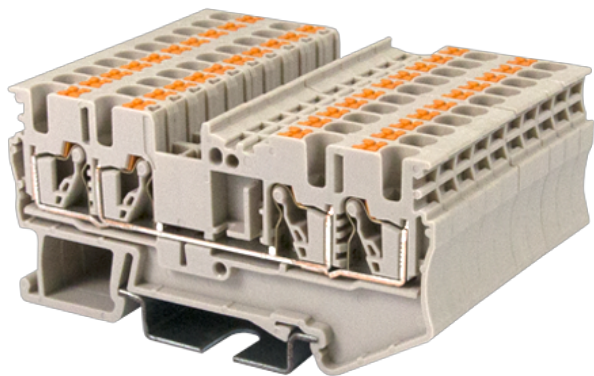
DP2.5N-TR

DIN

>

:2026-07-04

:1.1



600V, 20A, Beige (default)

	Single level Feed-Through Terminal Block, Push-in Design
	Single level Feed Through Terminal Block
	Beige (default)
	Push-in Design
	Rail Mounting
(mm)	72.6
(mm)	5.1
(mm)	35
()	1P
	Single level
	4
	PA
	I
UL 94	V0
	500M at DC 500V

-IEC

(V)	800
(A)	24
(III/3)(V)	800
(III/3)(KV)	8
(mm ²)	0.14
(mm ²)	4
(mm ²)	0.14
(mm ²)	2.5
(mm ²) , ,	0.25
(mm ²) , ,	2.5
(mm ²) , ,	0.25
(mm ²) , ,	2.5
² (mm ²) , ,	0.5
² (mm ²) , ,	0.5
Width)(mm) (Blade thickness x	0.6x3.5
	10
	TS-35、TS-35/15
	YES
	NO

-UL

(UL/CUL Group B)(V)	600
(UL/CUL Group B)(A)	20
(UL/CUL Group C)(V)	600
(UL/CUL Group C)(A)	20
UL/CUL AWG	26
UL/CUL AWG	12
UL/CUL AWG	26
UL/CUL AWG	12

&

(YES or NO)	YES
가 (YES or NO)	YES
	120
	-40

UL

(Group B) (AWG)	26~12
(Group B) (V)	600
(Group B) (A)	20
(Group C) (AWG)	26~12
(Group C) (V)	600
(Group C) (A)	20

CUL

(Group B) (AWG)	26~12
(Group B) (V)	600
(Group B) (A)	20
(Group C) (AWG)	26~12
(Group C) (V)	600
(Group C) (A)	20

