

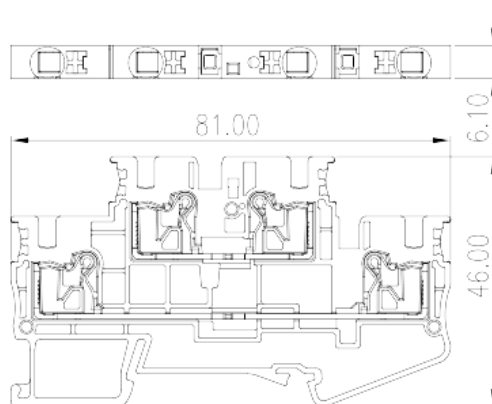
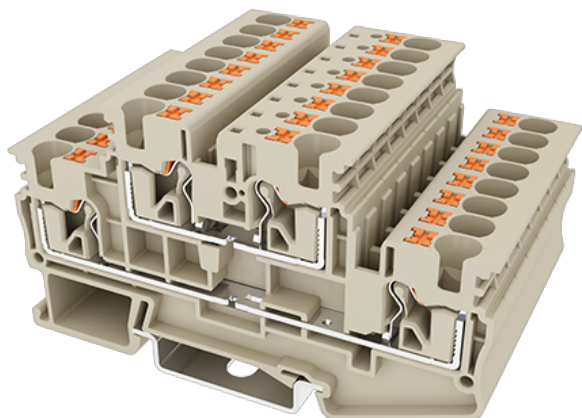
# DPP4N

DIN

>

:2026-07-04

:1.1



300V, 30A, Beige (default)

	Bi-level Feed-Through Terminal Block, Push-in Design
	Bi level Feed Through Terminal Blocks
	Beige (default)
	Push-in Design
	Rail Mounting
(mm)	81
(mm)	6.1
(mm)	46
( )	1P
	Double level
	4
	PA
	I
UL 94	V0
	500M at DC 500V

**-IEC**

(V)	500
(A)	28
(III/3)(V)	500
(III/3)(KV)	6
(mm <sup>2</sup> )	0.2
(mm <sup>2</sup> )	6
(mm <sup>2</sup> )	0.2
(mm <sup>2</sup> )	4
(mm <sup>2</sup> ) , ,	0.25
(mm <sup>2</sup> ) , ,	4
(mm <sup>2</sup> ) , ,	0.25
(mm <sup>2</sup> ) , ,	4
<sup>2</sup> (mm <sup>2</sup> ) , ,	0.5
<sup>2</sup> (mm <sup>2</sup> ) , ,	1
Width)(mm) (Blade thickness x	0.8x4.0
	12
	TS-35
	YES
	NO

**-UL**

(UL/CUL Group B)(V)	300
(UL/CUL Group B)(A)	30
(UL/CUL Group C)(V)	300
(UL/CUL Group C)(A)	30
UL/CUL AWG	24
UL/CUL AWG	10
UL/CUL AWG	24
UL/CUL AWG	10



&

(YES or NO)	YES
가 (YES or NO)	YES
	120
	-40

UL

(Group B)(AWG)	24~12
(Group B)(V)	300
(Group B)(A)	30
(Group C)(AWG)	24~12
(Group C)(V)	300
(Group C)(A)	30

CUL

(Group B)(AWG)	24~12
(Group B)(V)	300
(Group B)(A)	30
(Group C)(AWG)	24~12
(Group C)(V)	300
(Group C)(A)	30

VDE

(mm <sup>2</sup> )	0.2~4
(V)	500
(A)	28

--	--

