

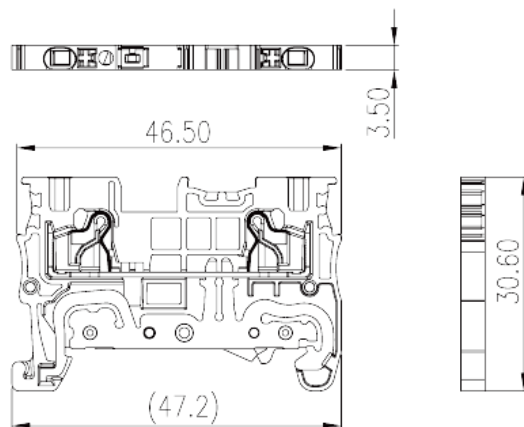
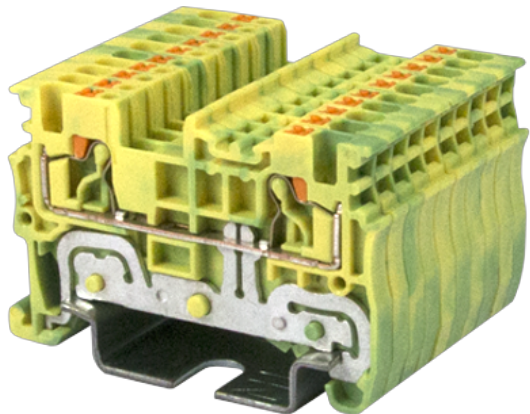
DP1.5N-PE

DIN

>

:2026-07-04

:1.1



300V, Green-Yellow (default)

	Grounding Terminal Block, Push-in Design
	Grounding Terminal Blocks
	Green-Yellow (default)
	Push-in Design
	Rail Mounting
(mm)	47.2
(mm)	3.5
(mm)	30.6
()	1P
	Single level
	2
	PA
	I
UL 94	V0
	500M at DC 500V

-IEC

(V)		500
(III/3)(V)		500
(III/3)(KV)		6
(mm ²)		0.14
(mm ²)		1.5
(mm ²)		0.14
(mm ²)		1.5
(mm ²)	,	0.25
(mm ²)	,	1.5
(mm ²)	,	0.25
(mm ²)	,	0.75
Width)(mm)	(Blade thickness x	0.4x2.5
		8
		TS-35
		YES
		YES

-UL

(UL/CUL Group B)(V)		300
(UL/CUL Group C)(V)		300
UL/CUL	AWG	26
UL/CUL	AWG	14
UL/CUL	AWG	26
UL/CUL	AWG	14

&

(YES or NO)		YES
가 (YES or NO)		YES
		120
		-40

UL

(Group B) (AWG)	26~14
(Group B) (V)	300
(Group C) (AWG)	26~14
(Group C) (V)	300

CUL

(Group B) (AWG)	26~14
(Group B) (V)	300
(Group C) (AWG)	26~14
(Group C) (V)	300

