

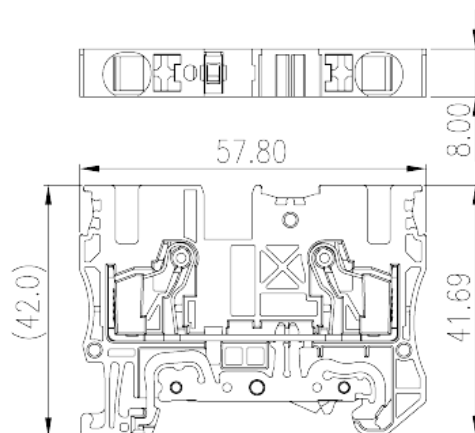
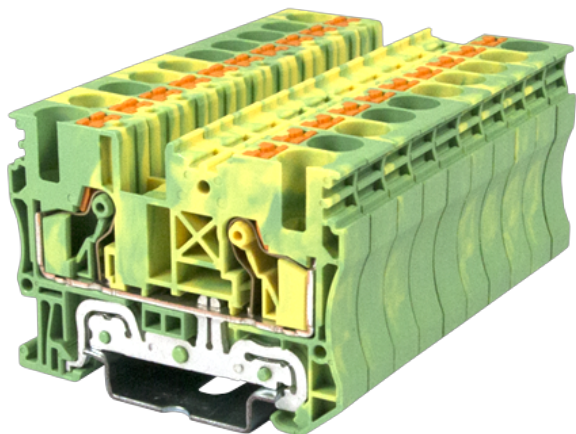
# DP6N-PE

DIN

>

:2026-07-04

:1.1



600V, Green-Yellow (default)

	Grounding Terminal Block, Push-in Design
	Grounding Terminal Block
	Green-Yellow (default)
	Push-in Design
	Rail Mounting
(mm)	57.8
(mm)	8
(mm)	42.0
( )	1P
	Single level
	2
	PA
	I
UL 94	V0
	500M at DC 500V

**-IEC**

(V)		1000
(III/3)(V)		1000
(III/3)(KV)		8
(mm <sup>2</sup> )		0.5
(mm <sup>2</sup> )		10
(mm <sup>2</sup> )		0.5
(mm <sup>2</sup> )		6
(mm <sup>2</sup> )	,	0.5
(mm <sup>2</sup> )	,	6
(mm <sup>2</sup> )	,	0.5
(mm <sup>2</sup> )	,	6
<sup>2</sup> (mm <sup>2</sup> )	,	0.5
<sup>2</sup> (mm <sup>2</sup> )	,	1.5
Width)(mm)	(Blade thickness x	0.8x4.0
		12~13
		TS-35、TS-35/15
		YES
		YES

**-UL**

(UL/CUL Group B)(V)		600
(UL/CUL Group C)(V)		600
UL/CUL	AWG	20
UL/CUL	AWG	8
UL/CUL	AWG	20
UL/CUL	AWG	8

**&**

(YES or NO)		YES
가 (YES or NO)		YES

	120
	-40

### UL

(Group B)(AWG)	20~8
(Group B)(V)	600
(Group C)(AWG)	20~8
(Group C)(V)	600

### CUL

(Group B)(AWG)	20~8
(Group B)(V)	600
(Group C)(AWG)	20~8
(Group C)(V)	600

