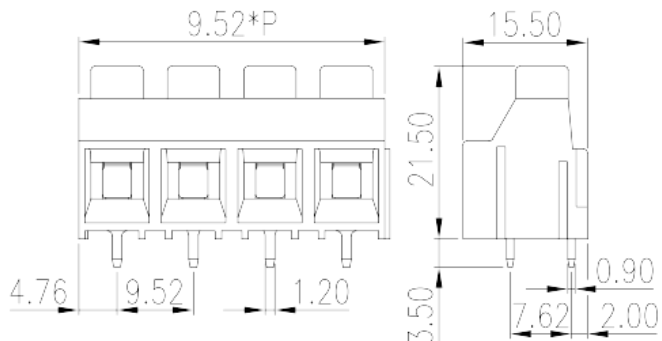
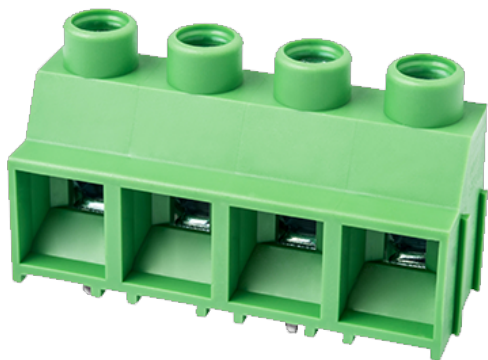


EK950HVN-XXP

PCB > PCB

:2026-07-05 :V1



Pitch : 9.52mm, 600V, 30A

		PCB Terminal Blocks, Screw Connection
		PCB Terminal Blocks
(mm)		9.52
		Green (default)
		Screw Connection
		Without
(mm)		9.52*(P-1)+9.52
(mm)		15.5
(mm)		21.5
(x) (mm)		0.9x1.2
PCB	(mm)	1.9
()		02P~25P
		Single level
		PA
		I
UL 94		V0



	500M at DC 500V
	COPPER ALLOY
	Tin PLATED

-IEC

(V)	1000
(A)	32
(II/2)(V)	1000
(III/2)(V)	1000
(III/3)(V)	1000
(II/2)(KV)	8
(III/2)(KV)	8
(III/3)(KV)	8
(mm ²)	0.2
(mm ²)	4
(mm ²)	0.2
(mm ²)	4
(mm ²) , ,	0.25
(mm ²) , ,	4
(mm ²) , ,	0.25
(mm ²) , ,	4
2 (mm ²)	0.2
2 (mm ²)	2.5
2 (mm ²)	0.25
2 (mm ²)	2.5
(mm ²) 2 , ,	0.5
(mm ²) 2 , ,	2.5
2 (mm ²) , ,	0.5
2 (mm ²) , ,	1
	M3



Width)(mm)	(Blade thickness x	0.8x4.0
	(N.m)	0.6
		7~8

-UL

(UL/CUL Group B)(V)		600
(UL/CUL Group B)(A)		30
(UL/CUL Group C)(V)		600
(UL/CUL Group C)(A)		30
(UL/CUL Group D)(V)		600
(UL/CUL Group D)(A)		5
UL/CUL	AWG	26
UL/CUL	AWG	10
UL/CUL	AWG	26
UL/CUL	AWG	10

&

가	(YES or NO)	YES
		120
		-40

UL

(Group B)(AWG)		26~10
(Group B)(V)		300
(Group B)(A)		30
(Group D)(AWG)		26~10
(Group D)(V)		600
(Group D)(A)		5

CUL

(Group B)(AWG)		26~10
(Group B)(V)		300
(Group B)(A)		30
(Group D)(AWG)		26~10

(Group D)(V)	600
(Group D)(A)	5

