

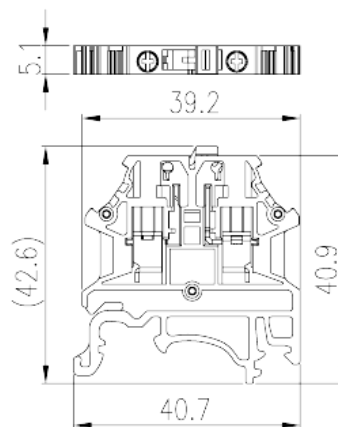
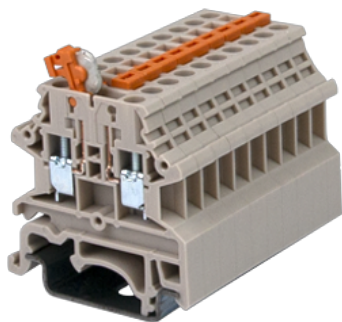
# DK2.5N-TG

DIN

>

:2026-07-04

:1.2



M2.5, 300V, 20A, Beige (default)

	DIN rail terminal blocks, Disconnect terminal blocks
	Disconnect terminal blocks
	Beige (default)
	Screw connection
	Rail mounting
(mm)	40.7
(mm)	5.1
(mm)	42.6
( )	1P
	Single level
	2
	PA
	I
UL 94	V0
	500M at DC 500V

## -IEC

(V)		400
(A)		24
(III/3)(V)		400
(III/3)(KV)		6
(mm <sup>2</sup> )		0.34
(mm <sup>2</sup> )		4
(mm <sup>2</sup> )		0.34
(mm <sup>2</sup> )		2.5
(mm <sup>2</sup> )		0.34
(mm <sup>2</sup> )		2.5
(mm <sup>2</sup> )		0.34
(mm <sup>2</sup> )		1.5
2	(mm <sup>2</sup> )	0.34
2	(mm <sup>2</sup> )	2.5
2	(mm <sup>2</sup> )	0.34
2	(mm <sup>2</sup> )	1.5
(mm <sup>2</sup> )	2	0.34
(mm <sup>2</sup> )	2	1.5
(mm <sup>2</sup> )	2	0.5
(mm <sup>2</sup> )	2	1.5
Width)(mm)	(Blade thickness x	M2.5 0.6x3.5
Philips		PH1
(N.m)		0.4
		9~11
		TS-35/ TS-35/15
		YES
		NO

-UL

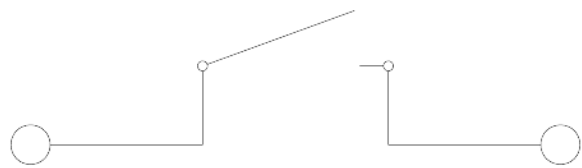
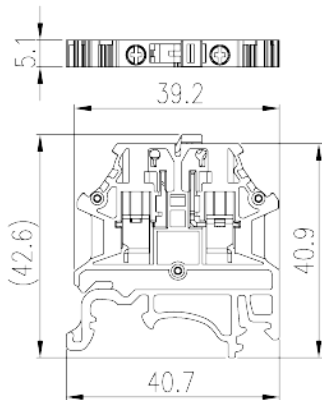
(UL/CUL Group B)(V)		300
(UL/CUL Group B)(A)		20
UL/CUL	AWG	22
UL/CUL	AWG	12
UL/CUL	AWG	22
UL/CUL	AWG	12

&

(YES or NO)		YES
가 (YES or NO)		YES
		120
		-40

VDE

(mm <sup>2</sup> )		0.34~2.5
(V)		400
(A)		24





Delight Through Connections