

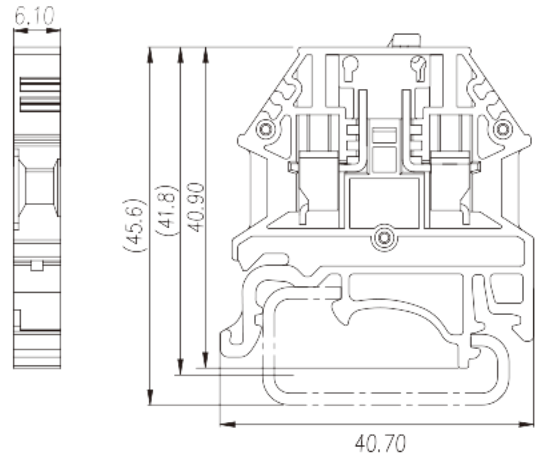
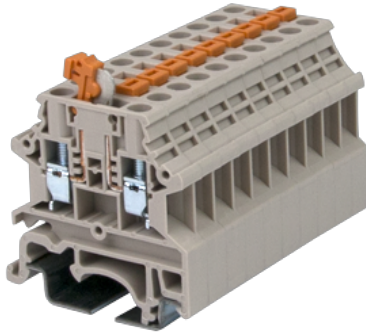
DK4N-TG

DIN

>

:2026-07-04

:1.2



M3, 300V, 30A, Beige (default)

	DIN rail terminal blocks, Disconnect terminal blocks
	Disconnect terminal blocks
	Beige (default)
	Screw connection
	Rail mounting
(mm)	40.7
(mm)	6.1
(mm)	42.6
()	1P
	Single level
	2
	PA
	I
UL 94	V0
	500M at DC 500V

-IEC

(V)		400
(A)		32
(III/3)(V)		400
(II/2)(KV)		6
(III/2)(KV)		6
(III/3)(KV)		6
(mm ²)		0.34
(mm ²)		6
(mm ²)		0.34
(mm ²)		4
(mm ²)	,	0.34
(mm ²)	,	4
(mm ²)	,	0.34
(mm ²)	,	4
2	(mm ²)	0.34
2	(mm ²)	2.5
2	(mm ²)	0.34
2	(mm ²)	2.5
(mm ²) 2	,	0.5
(mm ²) 2	,	1.5
2	(mm ²)	0.5
2	(mm ²)	2.5
		M3
Width)(mm)	(Blade thickness x	0.6x3.5
Philips		PH0
(N.m)		0.6
		9~11
		TS-35
		YES

	NO
--	----

-UL

(UL/CUL Group B)(V)		300
(UL/CUL Group B)(A)		30
UL/CUL	AWG	22
UL/CUL	AWG	10
UL/CUL	AWG	22
UL/CUL	AWG	10

&

(YES or NO)		YES
가 (YES or NO)		YES
		120
		-40

VDE

(mm ²)		0.34~4
(V)		400
(A)		32

