

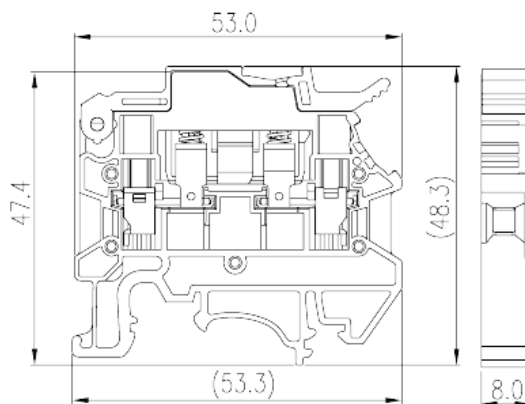
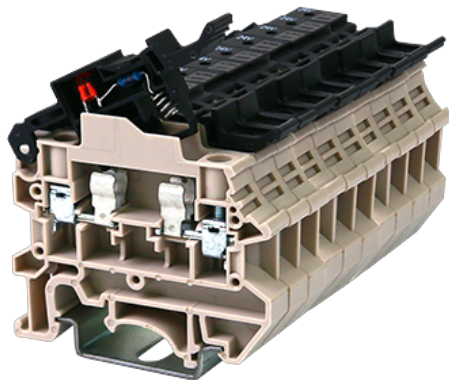
# DK4N-TFLXX

DIN

>

:2026-07-04

:1.2



M3, 600V, 12A, Beige (default)

	DIN rail terminal blocks, Fuse terminal blocks
	Fuse terminal blocks
	Beige (default)
	Screw connection
	Rail mounting
(mm)	53.3
(mm)	8
(mm)	48.3
( )	1P
	Single level
	2
	PA
	I
UL 94	V0
	500M at DC 500V

## -IEC

(V)		800
(A)		12
(III/3)(V)		800
(II/2)(KV)		6
(III/2)(KV)		6
(III/3)(KV)		6
(mm <sup>2</sup> )		0.14
(mm <sup>2</sup> )		4
(mm <sup>2</sup> )		0.14
(mm <sup>2</sup> )		4
(mm <sup>2</sup> )	,	0.25
(mm <sup>2</sup> )	,	4
(mm <sup>2</sup> )	,	0.25
(mm <sup>2</sup> )	,	4
2	(mm <sup>2</sup> )	0.14
2	(mm <sup>2</sup> )	1.5
2	(mm <sup>2</sup> )	0.14
2	(mm <sup>2</sup> )	1.5
(mm <sup>2</sup> ) 2	,	0.5
(mm <sup>2</sup> ) 2	,	1.5
2	(mm <sup>2</sup> )	0.5
2	(mm <sup>2</sup> )	1.5
		M3
Width)(mm)	(Blade thickness x	0.6x3.5
Philips		PH1
(N.m)		0.53
		8~10
		TS-35
		YES

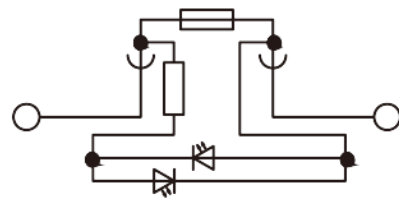
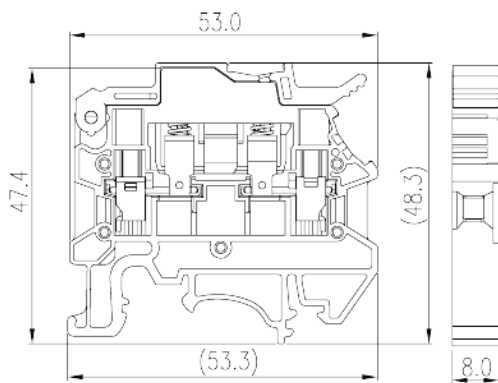
	NO
--	----

**-UL**

(UL/CUL Group B)(V)		600
(UL/CUL Group B)(A)		12
(UL/CUL Group C)(V)		600
(UL/CUL Group C)(A)		12
UL/CUL	AWG	22
UL/CUL	AWG	10
UL/CUL	AWG	22
UL/CUL	AWG	10

**&**

(YES or NO)		YES
가 (YES or NO)		YES
		120
		-40



\* DK4N-TFLXX(5X20) with LED display.

Part number	LED	Voltage
DK4N-TFL5(5X20)	with LED light	5V
DK4N-TFL12(5X20)	with LED light	12V
DK4N-TFL24(5X20)	with LED light	24V
DK4N-TFL48(5X20)	with LED light	48V
DK4N-TFL110(5X20)	with LED light	110V
DK4N-TFL220(5X20)	with LED light	220V
DK4N-TFL300(5X20)	with LED light	300V

