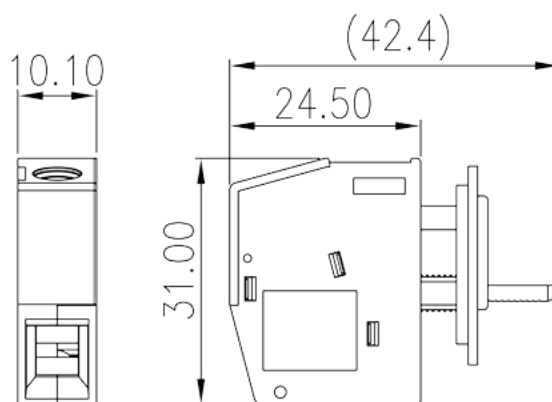


# PPACN-10AS

PCB >

:2026-07-04 :1.2



M4, 300V, 65A

	Panel Feed-Through, Screw Connection
	Panel Feed-Through
	Grey (default)
	Screw connection
	Without
(mm)	10.1
(mm)	42.4
(mm)	31
( )	1P
	PA
	I
UL 94	V0
	500M at DC 500V
	COPPER ALLOY
	Tin PLATED

**-IEC**

(V)	400
(A)	76
(III/3)(V)	500
(III/3)(KV)	6
(mm <sup>2</sup> )	0.5
(mm <sup>2</sup> )	16
(mm <sup>2</sup> )	0.5
(mm <sup>2</sup> )	10
(mm <sup>2</sup> ) , ,	0.5
(mm <sup>2</sup> ) , ,	10
(mm <sup>2</sup> ) , ,	0.5
(mm <sup>2</sup> ) , ,	10
2 (mm <sup>2</sup> )	4
2 (mm <sup>2</sup> )	4
(mm <sup>2</sup> ) <sup>2</sup> , ,	0.5
(mm <sup>2</sup> ) <sup>2</sup> , ,	2.5
(mm <sup>2</sup> ) <sup>2</sup> , ,	0.5
(mm <sup>2</sup> ) <sup>2</sup> , ,	6
	M4
Width)(mm) (Blade thickness x	1.0*5.5
Philips	PZ2
(N.m)	1.7
	10

**-UL**

(UL/CUL Group B)(V)	300
(UL/CUL Group B)(A)	65
(UL/CUL Group C)(V)	300
(UL/CUL Group C)(A)	65

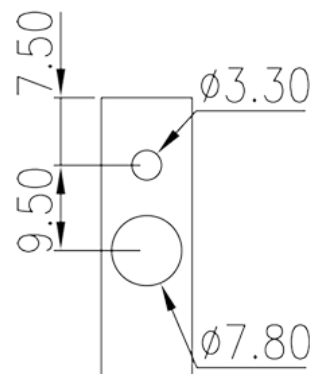
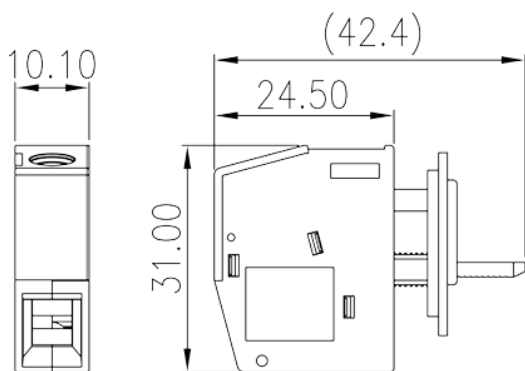
(UL/CUL Group D)(V)		600
(UL/CUL Group D)(A)		5
UL/CUL	AWG	24
UL/CUL	AWG	6
UL/CUL	AWG	24
UL/CUL	AWG	6

&amp;

(YES or NO)		YES
가 (YES or NO)		YES
		120
		-40

## VDE

(mm <sup>2</sup> )		0.5~16
(V)		500V (plastic mounting plate)
(A)		76





Delight Through Connections