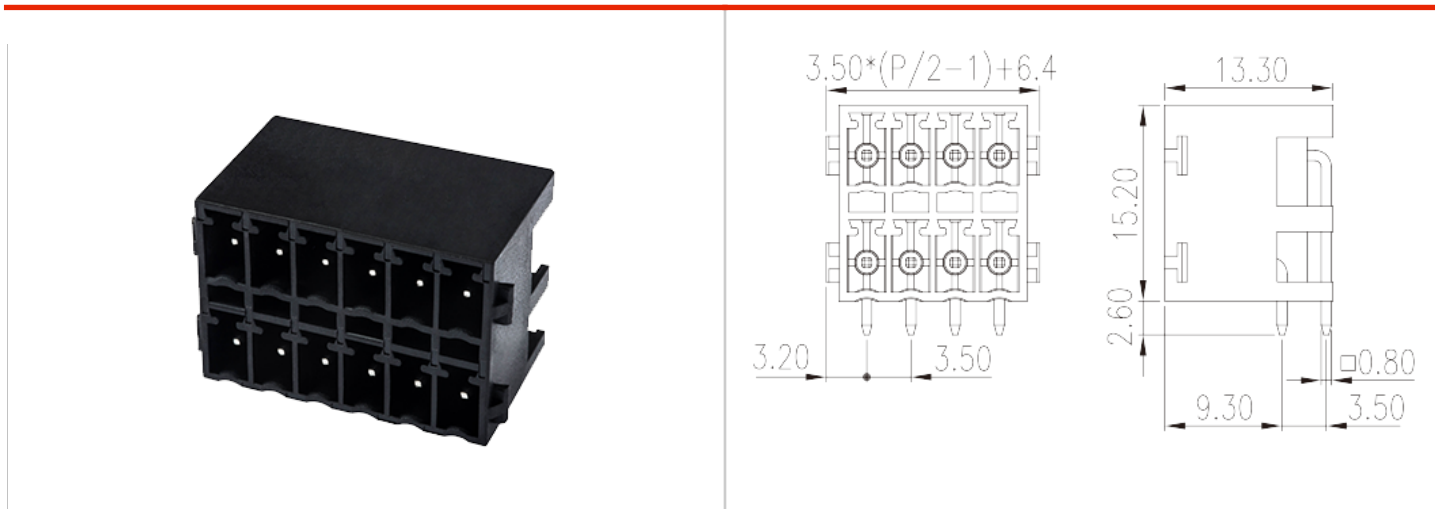


# 0221-26XXL

PCB &gt; PCB -

:2026-05-14



Pitch : 3.50 mm, 300V, 8A

	PCB Connector – Socket
	PCB Connector – Socket
(mm)	3.5
	Refer to drawing
	Without
	Reflow Soldering (Temperature condition according to standard IPC/JEDEC J-STD-020E)
(mm)	$3.50 * (P/2 - 1) + 6.40$
(mm)	15.2
(mm)	13.3
(    x    ) (mm)	0.8x0.8
PCB (mm)	1.3~1.4
	4~48P
	2
	HIGH-TEMPERATURE PLASTICS
	I



UL 94	V0
	500M at DC 500V
	COPPER ALLOY
	Tin PLATED
MSL	2

**-IEC**

(V)	320
(A)	8
(II/2)(V)	320
(III/2)(V)	200
(III/3)(V)	200
(II/2)(KV)	2.5
(III/2)(KV)	2.5
(III/3)(KV)	2.5

**-UL**

(UL/CUL Group B)(V)	300
(UL/CUL Group B)(A)	8
(UL/CUL Group D)(V)	300
(UL/CUL Group D)(A)	8

**&**

(YES or NO)	YES
가 (YES or NO)	YES
	130
	-40

**UL**

(Group B)(V)	300
(Group B)(A)	8
(Group D)(V)	300
(Group D)(A)	8

**CUL**

--	--

(Group B)(V)	300
(Group B)(A)	8
(Group D)(V)	300
(Group D)(A)	8

