

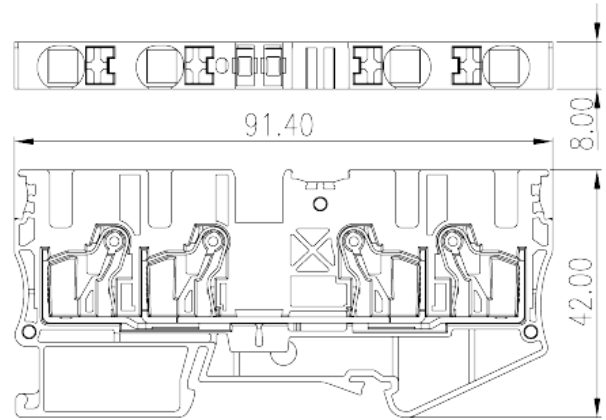
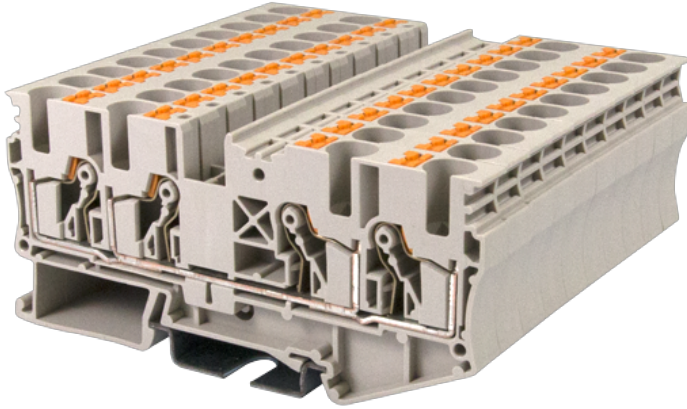
DP6N-TR

DIN

>

:2026-07-04

:V1.1



600V, 40A, Beige (default)

	Single level Feed-Through Terminal Block, Push-in Design
	Single level Feed Through Terminal Block
	Beige (default)
	Push-in Design
	Rail mounting
(mm)	91.4
(mm)	8
(mm)	42
()	1P
	Single level
	4
	PA
	I
UL 94	V0
	500M at DC 500V

-IEC

(V)	1000
(A)	41
(III/3)(V)	1000
(III/3)(KV)	8
(mm ²)	0.5
(mm ²)	10
(mm ²)	0.5
(mm ²)	6
(mm ²) , ,	0.5
(mm ²) , ,	6
(mm ²) , ,	0.5
(mm ²) , ,	6
² (mm ²) , ,	0.5
² (mm ²) , ,	1.5
Width)(mm) (Blade thickness x	0.8x4.0
	12
	TS-35、 TS-35/15
	YES
	NO

-UL

(UL/CUL Group B)(V)	600
(UL/CUL Group B)(A)	40
(UL/CUL Group C)(V)	600
(UL/CUL Group C)(A)	40
UL/CUL AWG	20
UL/CUL AWG	8
UL/CUL AWG	20
UL/CUL AWG	8

&

(YES or NO)	YES
가 (YES or NO)	YES
	120
	-40

UL

(Group B)(AWG)	20~8
(Group B)(V)	600
(Group B)(A)	40
(Group C)(AWG)	20~8
(Group C)(V)	600
(Group C)(A)	40

CUL

(Group B)(AWG)	20~8
(Group B)(V)	600
(Group B)(A)	40
(Group C)(AWG)	20~8
(Group C)(V)	600
(Group C)(A)	40

