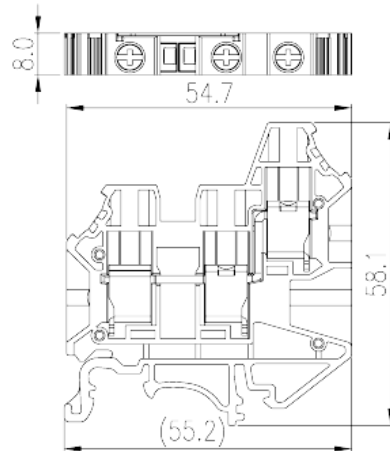
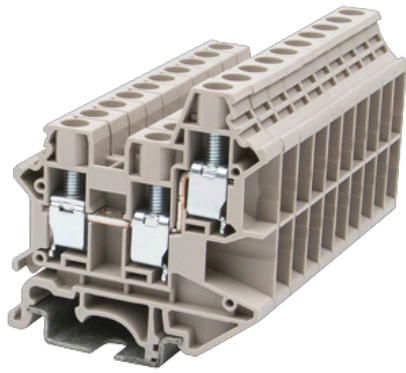


DK6N-TN

DIN

>

:2026-07-05



M4, 600V, 50A, Beige (default)

| | |
|-------|--|
| | Single level Feed-Through Terminal Block, Screw Connection |
| | Single level Feed Through Terminal Block |
| | Beige (default) |
| | Screw Connection |
| | Rail mounting |
| (mm) | 55.2 |
| (mm) | 8 |
| (mm) | 58.1 |
| () | 1P |
| | Single level |
| | 3 |
| | PA |
| | I |
| UL 94 | V0 |
| | 500M at DC 500V |

-IEC

| | | |
|----------------------|--------------------|----------------|
| (V) | | 1000 |
| (A) | | 41 |
| (III/3)(V) | | 1000 |
| (II/2)(KV) | | 8 |
| (III/2)(KV) | | 8 |
| (III/3)(KV) | | 8 |
| (mm ²) | | 0.5 |
| (mm ²) | | 10 |
| (mm ²) | | 0.5 |
| (mm ²) | | 6 |
| (mm ²) | , | 0.5 |
| (mm ²) | , | 6 |
| (mm ²) | , | 0.5 |
| (mm ²) | , | 4 |
| 2 | (mm ²) | 0.5 |
| 2 | (mm ²) | 6 |
| 2 | (mm ²) | 0.5 |
| 2 | (mm ²) | 4 |
| (mm ²) 2 | , | 0.5 |
| (mm ²) 2 | , | 4 |
| 2 | (mm ²) | 0.5 |
| 2 | (mm ²) | 4 |
| | | M4 |
| Width)(mm) | (Blade thickness x | 0.8x4.0 |
| Philips | | PH2 |
| (N.m) | | 1.2 |
| | | 12~14 |
| | | TS-35、TS-35/15 |
| | | YES |



| | |
|--|----|
| | NO |
|--|----|

-UL

| | |
|---------------------|-----|
| (UL/CUL Group B)(V) | 600 |
| (UL/CUL Group B)(A) | 50 |
| (UL/CUL Group C)(V) | 600 |
| (UL/CUL Group C)(A) | 50 |
| UL/CUL AWG | 20 |
| UL/CUL AWG | 8 |
| UL/CUL AWG | 20 |
| UL/CUL AWG | 8 |

&

| | |
|---------------|-----|
| (YES or NO) | YES |
| 가 (YES or NO) | YES |
| | 120 |
| | -40 |

UL

| | |
|----------------|------|
| (Group B)(AWG) | 20~8 |
| (Group B)(V) | 600 |
| (Group B)(A) | 50 |
| (Group C)(AWG) | 20~8 |
| (Group C)(V) | 600 |
| (Group C)(A) | 50 |

CUL

| | |
|----------------|------|
| (Group B)(AWG) | 20~8 |
| (Group B)(V) | 600 |
| (Group B)(A) | 50 |
| (Group C)(AWG) | 20~8 |
| (Group C)(V) | 600 |
| (Group C)(A) | 50 |

VDE

| | |
|--|--|
| | |
|--|--|

| | |
|--------------------|-------|
| (mm ²) | 0.5~6 |
| (V) | 1000 |
| (A) | 41 |

