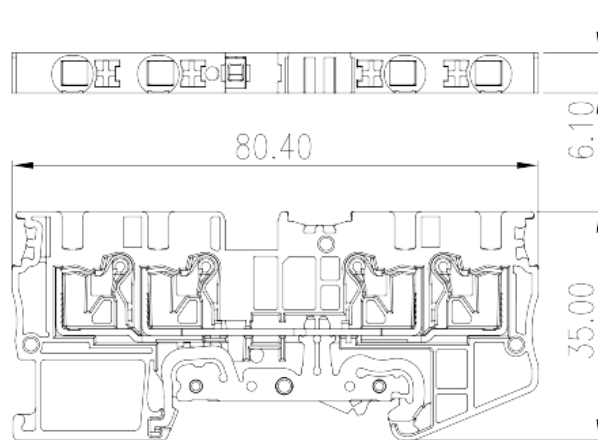
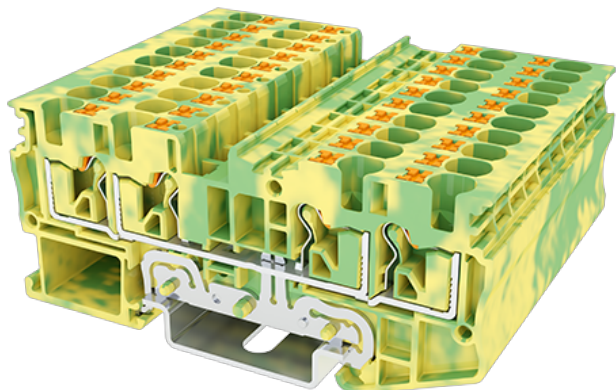


DP4N-TR-PE

DIN

>

:2026-07-05



600V, Green-Yellow (default)

	Grounding Terminal Block, Push-in Design
	Grounding Terminal Blocks
	Green-Yellow (default)
	Push-in Design
	Rail mounting
(mm)	80.4
(mm)	6.1
(mm)	35
()	1P
	Single level
	4
	PA
	I
UL 94	V0
	500M at DC 500V

-IEC

(V)		800
(III/3)(V)		800
(III/3)(KV)		8
(mm ²)		0.2
(mm ²)		6
(mm ²)		0.2
(mm ²)		4
(mm ²)	,	0.25
(mm ²)	,	4
(mm ²)	,	0.25
(mm ²)	,	4
² (mm ²)	,	0.5
² (mm ²)	,	1
Width)(mm)	(Blade thickness x	0.8x4.0
		12
		TS-35
		YES
		YES

-UL

(UL/CUL Group B)(V)		600
(UL/CUL Group C)(V)		600
UL/CUL	AWG	24
UL/CUL	AWG	10
UL/CUL	AWG	24
UL/CUL	AWG	10

&

(YES or NO)		YES
가 (YES or NO)		YES

	120
	-40

