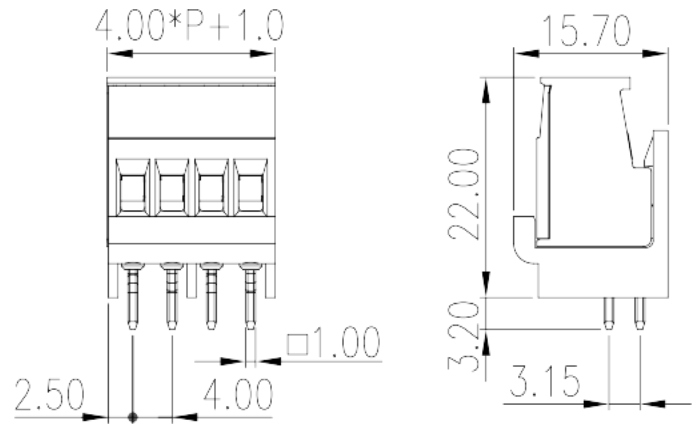


# 0162-A1XX

PCB &gt; PCB -

:2026-07-05



Pitch : 4.00 mm, 300V, 10A

		PCB Terminal Blocks, Screw Connection
		PCB Terminal Blocks
(mm)		4.00
		Black (default)
		Screw Connection
		With lock flange
		Wave Soldering
(mm)		$4.00 * (P - 1) + 5.0$
(mm)		15.7
(mm)		22.0
( ) x ( ) (mm)		1x1
PCB (mm)		1.5
( )		02P~24P
		Single level
		PA
		I



UL 94	V0
	500M at DC 500V
	COPPER ALLOY
	Tin PLATED

**-IEC**

(V)	320
(A)	17.5
(II/2)(V)	400
(III/2)(V)	320
(III/3)(V)	250
(II/2)(KV)	4
(III/2)(KV)	4
(III/3)(KV)	4
(mm <sup>2</sup> )	0.2
(mm <sup>2</sup> )	2.5
(mm <sup>2</sup> )	0.2
(mm <sup>2</sup> )	2.5
(mm <sup>2</sup> ) , ,	0.25
(mm <sup>2</sup> ) , ,	2.5
(mm <sup>2</sup> ) , ,	0.25
(mm <sup>2</sup> ) , ,	1.5
	M2.5
Width)(mm) (Blade thickness x	0.5*3
Philips	0.5*3
(N.m)	0.45
	6~7

**-UL**

(UL/CUL Group B)(V)	300
(UL/CUL Group B)(A)	10
(UL/CUL Group D)(V)	300



(UL/CUL Group D)(A)		10
UL/CUL	AWG	24
UL/CUL	AWG	14
UL/CUL	AWG	24
UL/CUL	AWG	14

&

(YES or NO)		YES
가 (YES or NO)		YES
		120
		-40

### UL

(Group B)(AWG)		24~14
(Group B)(V)		300
(Group B)(A)		10
(Group D)(AWG)		24~14
(Group D)(V)		300
(Group D)(A)		10

### CUL

(Group B)(AWG)		24~14
(Group B)(V)		300
(Group B)(A)		10
(Group D)(AWG)		24~14
(Group D)(V)		300
(Group D)(A)		10

--	--	--

