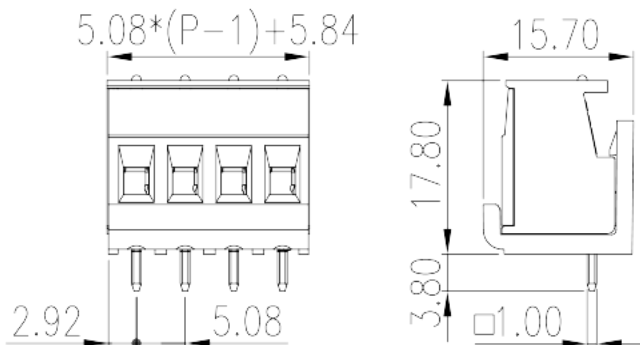


0164-A1XX(T)

PCB > PCB -

:2026-07-04



Pitch : 5.08 mm, 300V, 10A(sol)/15A(str)

| | | PCB Terminal Blocks, Screw Connection |
|----------------|--|---------------------------------------|
| | | PCB Terminal Blocks |
| (mm) | | 5.08 |
| | | Black (default) |
| | | Screw Connection |
| | | With lock flange |
| | | Wave Soldering |
| (mm) | | $5.08*(P-1) + 5.84$ |
| (mm) | | 15.7 |
| (mm) | | 17.8 |
| () x () (mm) | | 1.0x1.0 |
| PCB (mm) | | 1.5 |
| () | | 02P~24P |
| | | PA |
| | | I |
| UL 94 | | V0 |



| | |
|--|-----------------|
| | 500M at DC 500V |
| | COPPER ALLOY |
| | Tin PLATED |

-IEC

| | |
|--------------------------|------|
| (V) | 320 |
| (A) | 15 |
| (II/2)(V) | 630 |
| (III/2)(V) | 320 |
| (III/3)(V) | 250 |
| (II/2)(KV) | 4 |
| (III/2)(KV) | 4 |
| (III/3)(KV) | 4 |
| (mm ²) | 0.2 |
| (mm ²) | 2.5 |
| (mm ²) | 0.2 |
| (mm ²) | 2.5 |
| (mm ²) , , | 0.25 |
| (mm ²) , , | 2.5 |
| (mm ²) , , | 0.25 |
| (mm ²) , , | 2.5 |
| 2 (mm ²) | 0.2 |
| 2 (mm ²) | 1 |
| 2 (mm ²) | 0.2 |
| 2 (mm ²) | 1 |
| (mm ²) 2 , , | 0.25 |
| (mm ²) 2 , , | 1 |
| 2 (mm ²) , , | 0.5 |
| 2 (mm ²) , , | 1 |
| | M2.5 |

| | |
|---------|---------|
| Philips | 0.6x3.5 |
| (N.m) | 0.4 |
| (N.m) | 0.5 |
| | 6~7 |

-UL

| | |
|---------------------|-------------------|
| (UL/CUL Group B)(V) | 300 |
| (UL/CUL Group B)(A) | 10 |
| (UL/CUL Group D)(V) | 300 |
| (UL/CUL Group D)(A) | 10 |
| UL/CUL AWG | 26 |
| UL/CUL AWG | 12(sol) / 16(str) |
| UL/CUL AWG | 26 |
| UL/CUL AWG | 12(sol) / 16(str) |

&

| | |
|---------------|-----|
| 가 (YES or NO) | YES |
| | 120 |
| | -40 |

UL

| | |
|----------------|-------------------------|
| (Group B)(AWG) | 26~12(sol) / 26~16(str) |
| (Group B)(V) | 300 |
| (Group B)(A) | 10A(sol)/15A(str) |
| (Group D)(AWG) | 26~12 |
| (Group D)(V) | 300 |
| (Group D)(A) | 10 |

CUL

| | |
|----------------|-------------------------|
| (Group B)(AWG) | 26~12(sol) / 26~16(str) |
| (Group B)(V) | 300 |
| (Group B)(A) | 10A(sol)/15A(str) |
| (Group D)(AWG) | 26~12 |
| (Group D)(V) | 300 |
| (Group D)(A) | 10 |

