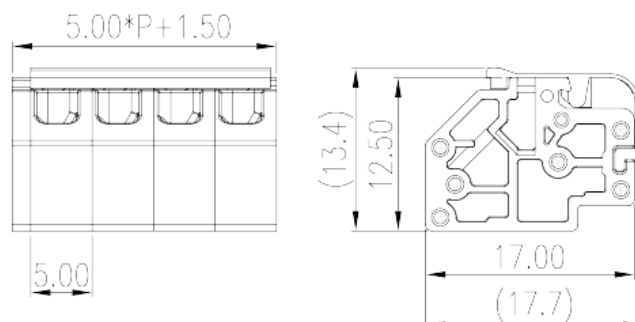


0191-02XXC

PCB > PCB -

:2026-07-07



Pitch : 5.00mm, 300V, 2A

	PCB Connector – Plug, Push-in Design
	PCB Connector – Plug
(mm)	5.00
	Black (default)
	Push in Design
	Without
(mm)	5.00*P+1.5
(mm)	17.7
(mm)	13.4
()	02P~20P
	Single level
	PA
	I
UL 94	V0
	500M at DC 500V
	STAINLESS STEEL



Tin PLATED

-IEC

(V)	320
(A)	4
(II/2)(V)	630
(III/2)(V)	320
(III/3)(V)	250
(II/2)(KV)	4
(III/2)(KV)	4
(III/3)(KV)	4
(mm ²)	0.5
(mm ²)	1.5
(mm ²)	0.5
(mm ²)	1.5
(mm ²) , ,	0.5
(mm ²) , ,	1.5
(mm ²) , ,	0.5
(mm ²) , ,	1.5
	8~9

-UL

(UL/CUL Group B)(V)	300
(UL/CUL Group B)(A)	2
(UL/CUL Group D)(V)	300
(UL/CUL Group D)(A)	2
UL/CUL AWG	28
UL/CUL AWG	16
UL/CUL AWG	28
UL/CUL AWG	16

&

가 (YES or NO)	YES
---------------	-----

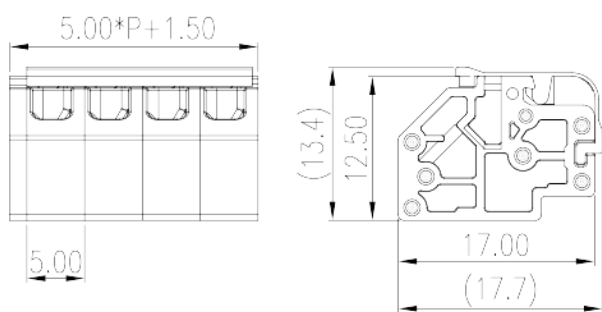
	120
	-40

UL

(Group B)(AWG)	28~16
(Group B)(V)	300
(Group B)(A)	2
(Group D)(AWG)	28~16
(Group D)(V)	300
(Group D)(A)	2

CUL

(Group B)(AWG)	28~16
(Group B)(V)	300
(Group B)(A)	2
(Group D)(AWG)	28~16
(Group D)(V)	300
(Group D)(A)	2





Delight Through Connections