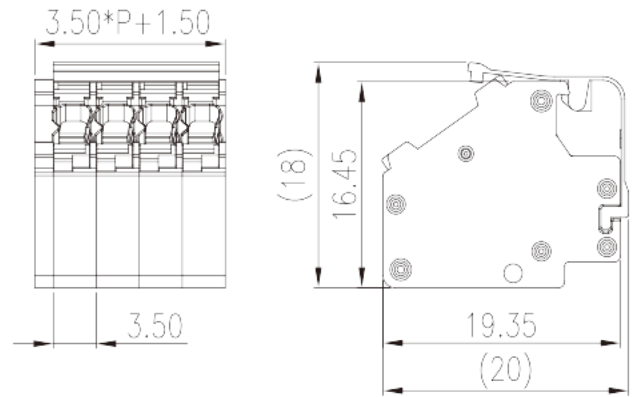


# 0191-06XXC

PCB &gt; PCB -

:2026-07-05



Pitch : 3.50mm, 300V, 8A

	PCB Connector – Plug, Push-in Design
	PCB Connector – Plug
(mm)	3.50
	Black (default)
	Push in Design
	Without
(mm)	3.50*P+1.5
(mm)	20.0
(mm)	18.0
( )	02P~20P
	Single level
	PA
	I
UL 94	V0
	500M at DC 500V
	COPPER ALLOY

Tin PLATED

**-IEC**

(V)	320
(A)	9
(II/2)(V)	400
(III/2)(V)	320
(III/3)(V)	320
(II/2)(KV)	4
(III/2)(KV)	4
(III/3)(KV)	4
(mm <sup>2</sup> )	0.2
(mm <sup>2</sup> )	1.5
(mm <sup>2</sup> )	0.2
(mm <sup>2</sup> )	1.5
(mm <sup>2</sup> ) , ,	0.25
(mm <sup>2</sup> ) , ,	1
(mm <sup>2</sup> ) , ,	0.25
(mm <sup>2</sup> ) , ,	0.75
	8

**-UL**

(UL/CUL Group B)(V)	300
(UL/CUL Group B)(A)	8
(UL/CUL Group D)(V)	300
(UL/CUL Group D)(A)	8
UL/CUL AWG	24
UL/CUL AWG	16
UL/CUL AWG	24
UL/CUL AWG	16

**&**

(YES or NO)	YES
-------------	-----

가 (YES or NO)	YES
	120
	-40

## UL

(Group B)(AWG)	24~16
(Group B)(V)	300
(Group B)(A)	8
(Group D)(AWG)	24~16
(Group D)(V)	300
(Group D)(A)	8

## CUL

(Group B)(AWG)	24~16
(Group B)(V)	300
(Group B)(A)	8
(Group D)(AWG)	24~16
(Group D)(V)	300
(Group D)(A)	8

