

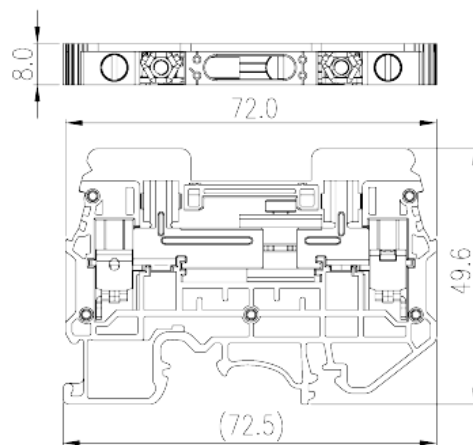
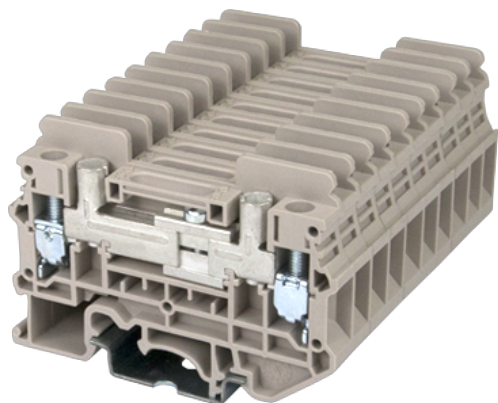
DKTD6N

DIN

>

:2026-07-04

:1.2



M4, 300V, 42A, Beige (default)

	Disconnect Test Terminal Block, Screw Connection
	Disconnect Test Terminal Block
	Beige (default)
	Screw connection
	Rail mounting
(mm)	72.5
(mm)	8
(mm)	49.6
()	1P
	Single level
	2
	PA
	I
UL 94	V0
	500M at DC 500V

-IEC

(V)	800
(A)	41
(III/3)(V)	800
(III/3)(KV)	8
(mm ²)	0.5
(mm ²)	10
(mm ²)	0.5
(mm ²)	6
(mm ²) , ,	0.5
(mm ²) , ,	6
(mm ²) , ,	0.5
(mm ²) , ,	6
2 (mm ²)	0.5
2 (mm ²)	4
2 (mm ²)	0.5
2 (mm ²)	4
(mm ²) 2 , ,	0.5
(mm ²) 2 , ,	2.5
2 (mm ²) , ,	0.5
2 (mm ²) , ,	4
	M4&M3
Width)(mm) (Blade thickness x	0.8x4.0
	9~10
	TS-35、TS-35/15
	YES
	NO

-UL

(UL/CUL Group B)(V)	300
---------------------	-----

(UL/CUL Group B)(A)		42
(UL/CUL Group C)(V)		300
(UL/CUL Group C)(A)		42
UL/CUL	AWG	20
UL/CUL	AWG	8
UL/CUL	AWG	20
UL/CUL	AWG	8

&

(YES or NO)		YES
가 (YES or NO)		YES
		120
		-40

UL

(Group B)(AWG)		20~8
(Group B)(V)		300
(Group B)(A)		42
(Group C)(AWG)		20~8
(Group C)(V)		300
(Group C)(A)		42

CUL

(Group B)(AWG)		20~8
(Group B)(V)		300
(Group B)(A)		42
(Group C)(AWG)		20~8
(Group C)(V)		300
(Group C)(A)		42

VDE

(mm ²)		0.5~6
(V)		800
(A)		41

