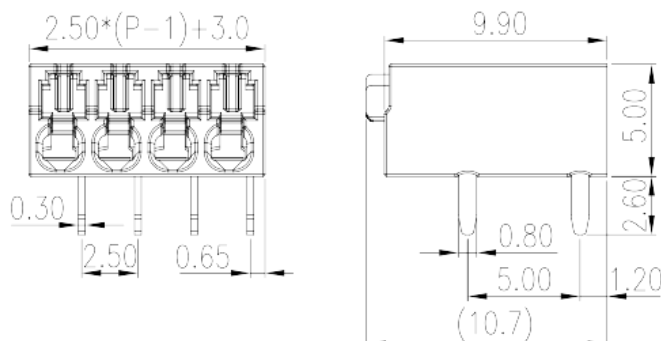


# 0188-01XXL

PCB > PCB

:2026-07-05



Pitch : 2.50mm, 150V, 5A

	PCB Terminal Blocks, Push-in Design
	PCB Terminal Blocks
(mm)	2.50
	Black (default)
	Push in design
	Without
	Reflow Soldering ( Temperature condition according to standard IPC/JEDEC J-STD-020E)
(mm)	$2.50 * (P - 1) + 3.0$
(mm)	10.7
(mm)	5
(    x    ) (mm)	0.3x0.8
PCB      (mm)	1.2
(    )	02P~20P
	Single level
	<b>HIGH-TEMPERATURE PLASTICS</b>



	I
UL 94	V0
	500M at DC 500V
	COPPER ALLOY
	Tin PLATED
MSL	2

**-IEC**

(V)	160
(A)	6
(II/2)(V)	400
(III/2)(V)	160
(III/3)(V)	160
(II/2)(KV)	2.5
(III/2)(KV)	2.5
(III/3)(KV)	2.5
(mm <sup>2</sup> )	0.2
(mm <sup>2</sup> )	0.5
(mm <sup>2</sup> )	0.2
(mm <sup>2</sup> )	0.5
(mm <sup>2</sup> ) , ,	0.25
(mm <sup>2</sup> ) , ,	0.5
	7~8

**-UL**

(UL/CUL Group B)(V)	150
(UL/CUL Group B)(A)	5
UL/CUL AWG	26
UL/CUL AWG	18
UL/CUL AWG	26
UL/CUL AWG	18

**&**

가 (YES or NO)	YES
---------------	-----

	120
	-40

### UL

(Group B)(AWG)	26~18
(Group B)(V)	150
(Group B)(A)	5

### CUL

(Group B)(AWG)	26~18
(Group B)(V)	150
(Group B)(A)	5

